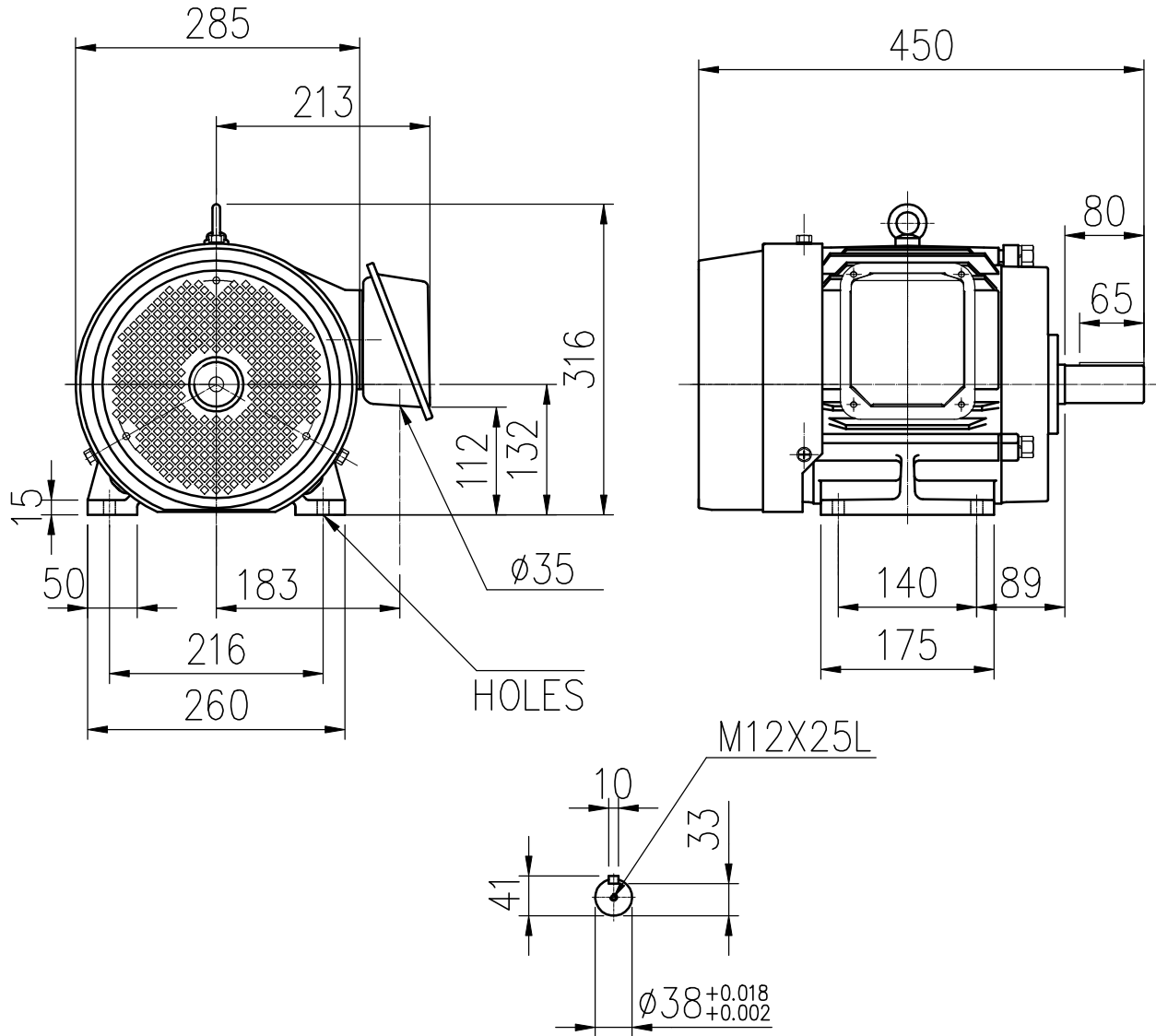


# OUTLINE 3-PHASE INDUCTION MOTOR

TOTALLY ENCLOSED FAN  
COOLED, SQUIRREL CAGE  
ROTOR  
*HIGH EFFICIENCY  
IE2 SERIES*

FILE NO:  
CUSTOMER:  
PO. NO:  
ORDER NO:

OUTPUT	POLE	SYN. SPEED	VOLT.	FREQ	TIME RATING	MODEL	FRAME NO.
					<b>S1</b>	FPFC	132S



NOTE: 1. F CLASS INSULATION.

BEARING NO.		APPROX WEIGHT
D.E	O.D.E	
6308ZZ	6208ZZ	67 kg

初步圖面，僅供參考

CERTIFIED BY: _____		DATE: _____	
DESIGNED	Ken Fang	DWG. NO: AS-022664	REV.
CHECKED	Eagle HUNG	3RD ANGLE PROJECTION	
APPROVED	Eagle HUNG	DIMENSION IN mm	



(00)