

OUTLINE 3-PHASE INDUCTION MOTOR

TOTALLY ENCLOSED FAN
COOLED, SQUIRREL CAGE
ROTOR

*HIGH EFFICIENCY
IE2 SERIES*

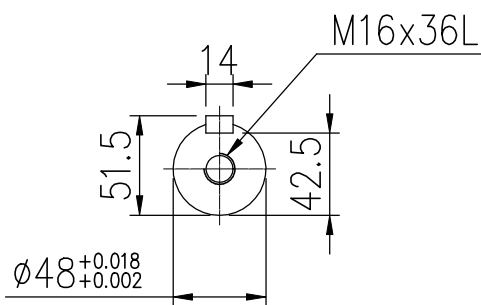
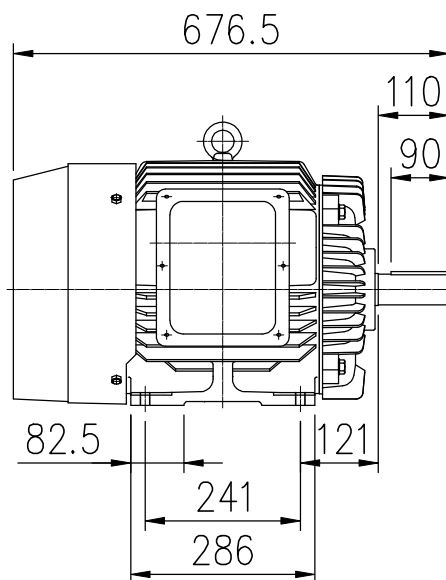
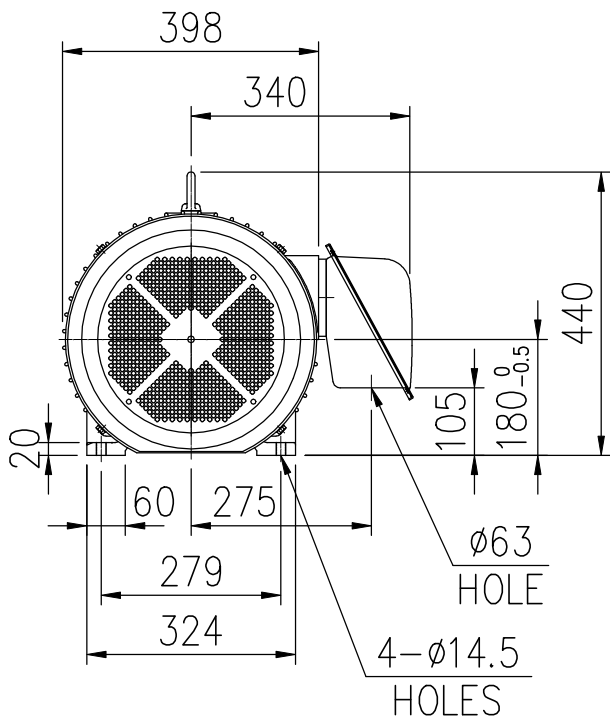
FILE NO:

CUSTOMER:

PO. NO:

ORDER NO:

OUTPUT	POLE	SYN. SPEED	VOLT.	FREQ	TIME RATING	MODEL	FRAME NO.
	2				S1	FPFC	180M



NOTE: 1. F CLASS INSULATION.

BEARING NO.		APPROX WEIGHT
D.E	O.D.E	
6310ZZ	6210ZZ	180 kg

初步圖面，僅供參考

CERTIFIED	BY: _____	DATE: _____
DESIGNED	H.W. Liang	DWG. NO: AS-022670
CHECKED	Eagle HUNG	3RD ANGLE PROJECTION
APPROVED	Eagle HUNG	DIMENSION IN mm



(00)