

# OUTLINE 3-PHASE INDUCTION MOTOR

TOTALLY ENCLOSED FAN  
COOLED, SQUIRREL CAGE  
ROTOR

*HIGH EFFICIENCY  
IE2 SERIES*

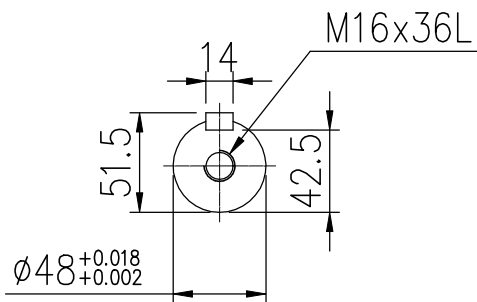
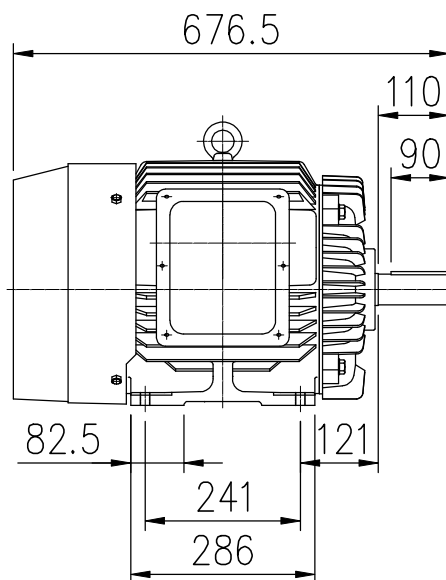
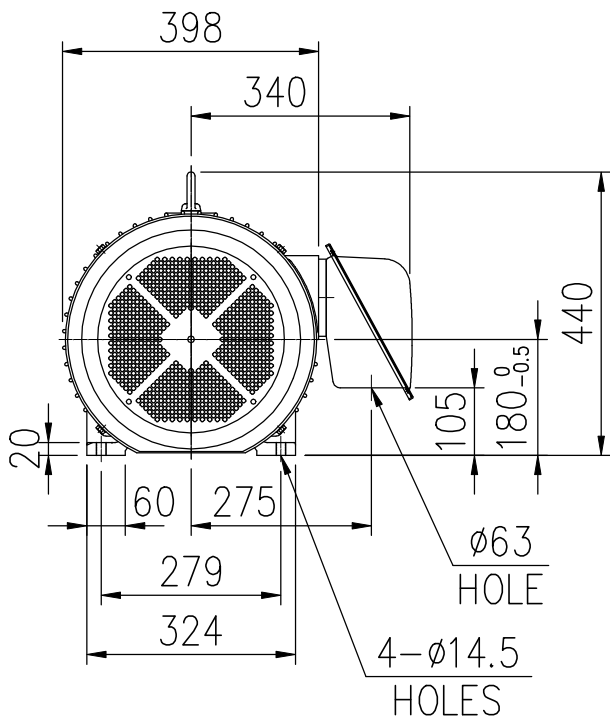
FILE NO:

CUSTOMER:

PO. NO:

ORDER NO:

OUTPUT	POLE	SYN. SPEED	VOLT.	FREQ	TIME RATING	MODEL	FRAME NO.
					<b>S1</b>	FPFC	180M



NOTE: 1. F CLASS INSULATION.

BEARING NO.		APPROX WEIGHT
D.E	O.D.E	
6310ZZ	6210ZZ	180 kg

初步圖面，僅供參考

CERTIFIED BY: _____		DATE: _____	
DESIGNED	H.W. Liang	DWG. NO: AS-022671	REV.
CHECKED	Eagle HUNG	3RD ANGLE PROJECTION	(00)
APPROVED	Eagle HUNG	DIMENSION IN mm	

