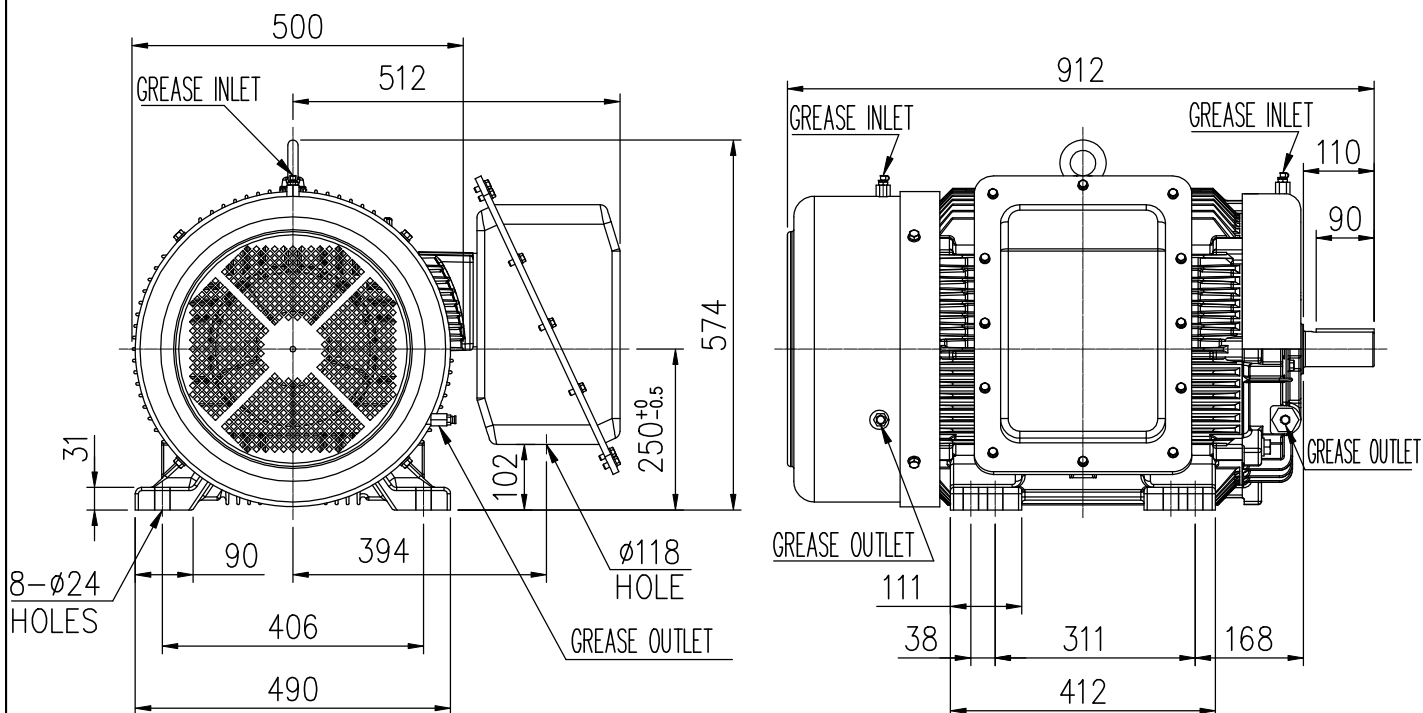


OUTLINE 3-PHASE INDUCTION MOTOR

TOTALLY ENCLOSED FAN
COOLED, SQUIRREL CAGE
ROTOR
*HIGH EFFICIENCY
IE2 SERIES*

FILE NO:
CUSTOMER:
PO. NO:
ORDER NO:

| OUTPUT | POLE | SYN. SPEED | VOLT. | FREQ | TIME RATING | MODEL | FRAME NO. |
|--------|------|------------|-------|------|-------------|-------|-----------|
| | 2 | | | | S1 | FPFC | 250S |



NOTE: 1. F CLASS INSULATION.
2. FOR DIRECT COUPLING.

| BEARING NO. | | APPROX WEIGHT |
|-------------|---------|---------------|
| D.E | O.D.E | |
| 6316ZC3 | 6316ZC3 | 465 kg |

Preliminary Drawing for Reference Only

| | | |
|-----------|-------------|----------------------|
| CERTIFIED | BY: _____ | DATE: _____ |
| DESIGNED | STONE CHANG | DWG. NO: AS-022678 |
| CHECKED | Eagle HUNG | 3RD ANGLE PROJECTION |
| APPROVED | Eagle HUNG | DIMENSION IN mm |



(00)