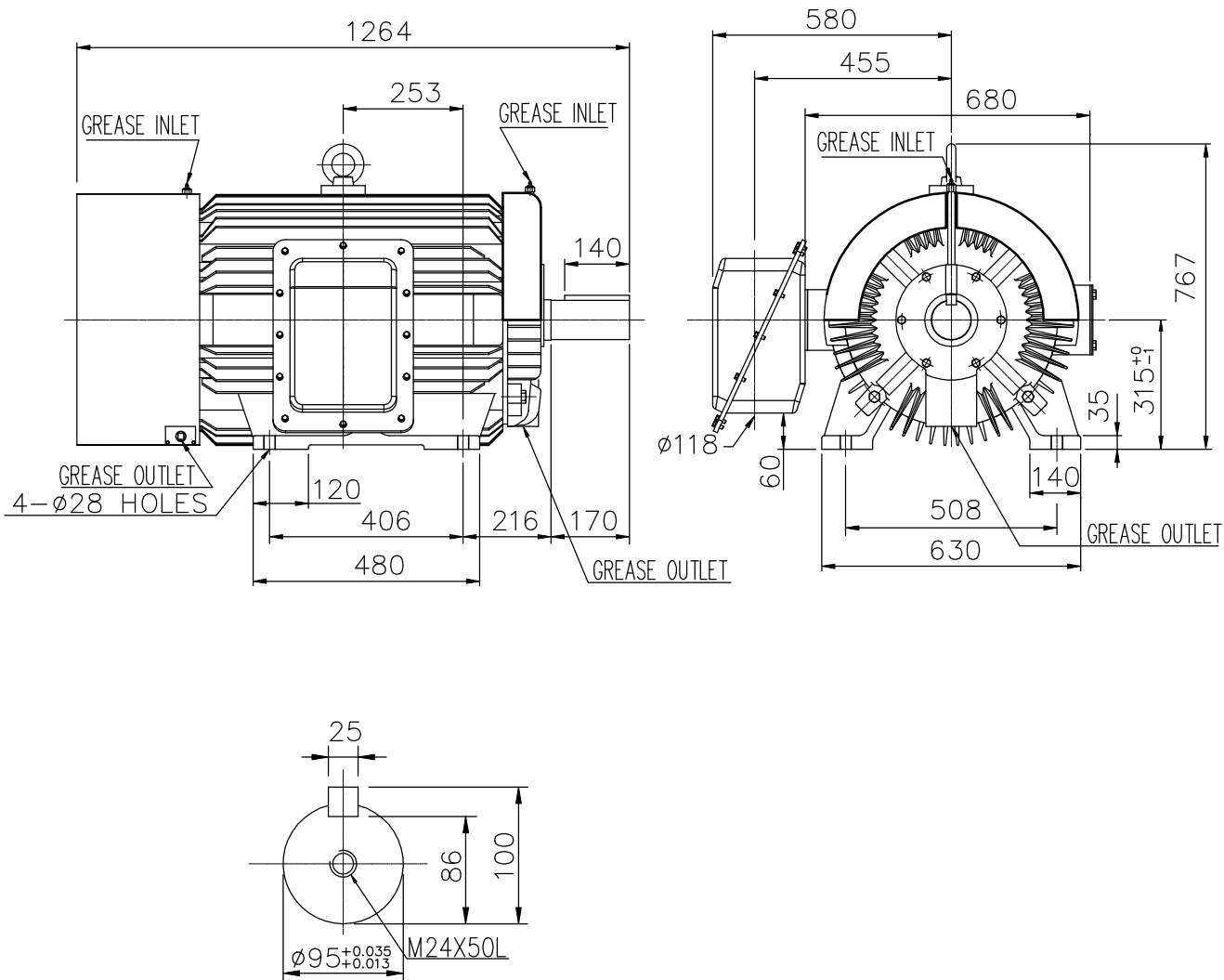


OUTLINE 3-PHASE INDUCTION MOTOR

TOTALLY ENCLOSED FAN
COOLED, SQUIRREL CAGE
ROTOR
*HIGH EFFICIENCY
IE2 SERIES*

FILE NO:
CUSTOMER:
PO. NO:
ORDER NO:

OUTPUT	POLE	SYN. SPEED	VOLT.	FREQ	TIME RATING	MODEL	FRAME NO.
					S1	FPFC	315S



NOTE: 1. F CLASS INSULATION.
2. FOR DIRECT COUPLING.

BEARING NO.		APPROX WEIGHT
D.E	O.D.E	
6320	6318	1160kg

Preliminary Drawing for Reference Only

CERTIFIED BY: _____		DATE: _____	
DESIGNED	CARL LIN	DWG. NO: AS-022686	REV.
CHECKED	L.J.LEE	3RD ANGLE PROJECTION	
APPROVED	L.J.LEE	DIMENSION IN mm	



(00)