

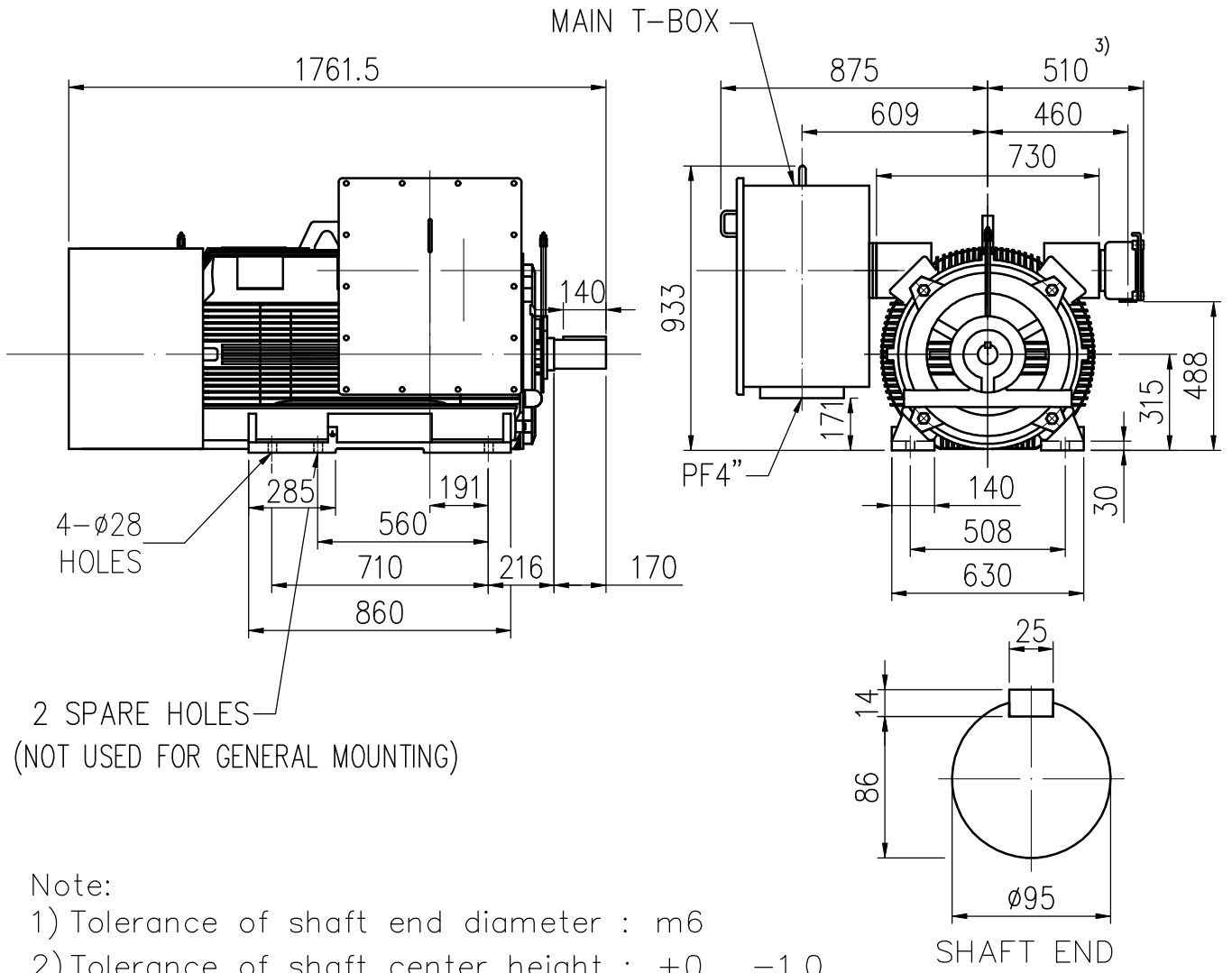
**OUTLINE**  
**3-PHASE**  
**INDUCTION MOTOR**  
 (TS21F II Series)

TOTALLY ENCLOSED  
 FAN COOLED  
 SQUIRREL CAGE ROTOR  
 ANTI-FRICTION BEARING

PROJECT NO:

CUSTOMER:  
 PO. NO:  
 ORDER NO:

OUTPUT	POLE	SYN. SPEED	VOLT.	FREQ	INSUL.	TIME RATING	MODEL	FRAME NO.
		RPM.	V.	HZ		CONT.	TIK-FCK	N315LL



Note:

- 1) Tolerance of shaft end diameter : m6
- 2) Tolerance of shaft center height : +0 , -1.0
- 3) Auxiliary terminal box is optional and dependent on specified accessories.
- 4) For direct coupling.
- 5) Approximate weight of maximum rated power= 1890 kg
- 6) Drive end bearing: 6222  
 Opposite drive end bearing: 6222
- 7) Rotation: C.W Viewed from Non-Drive end.
- 8) Total length will be extended 300 mm for low noise level.



BASIC DWG NO: FB-5893

CERTIFIED BY:		DATE:
DESIGNED	Y.L.HUANG	DIMENSIONS IN mm
CHECKED	W.C.HUANG	3RD ANGLE PROJECTION
APPROVED	T.F.CHENG	DATE: