

**OUTLINE  
3-PHASE  
INDUCTION MOTOR  
(TS21F II SERIES)**

**TOTALLY ENCLOSED  
FAN COOLED  
SQUIRREL CAGE ROTOR  
SLEEVE BEARING**

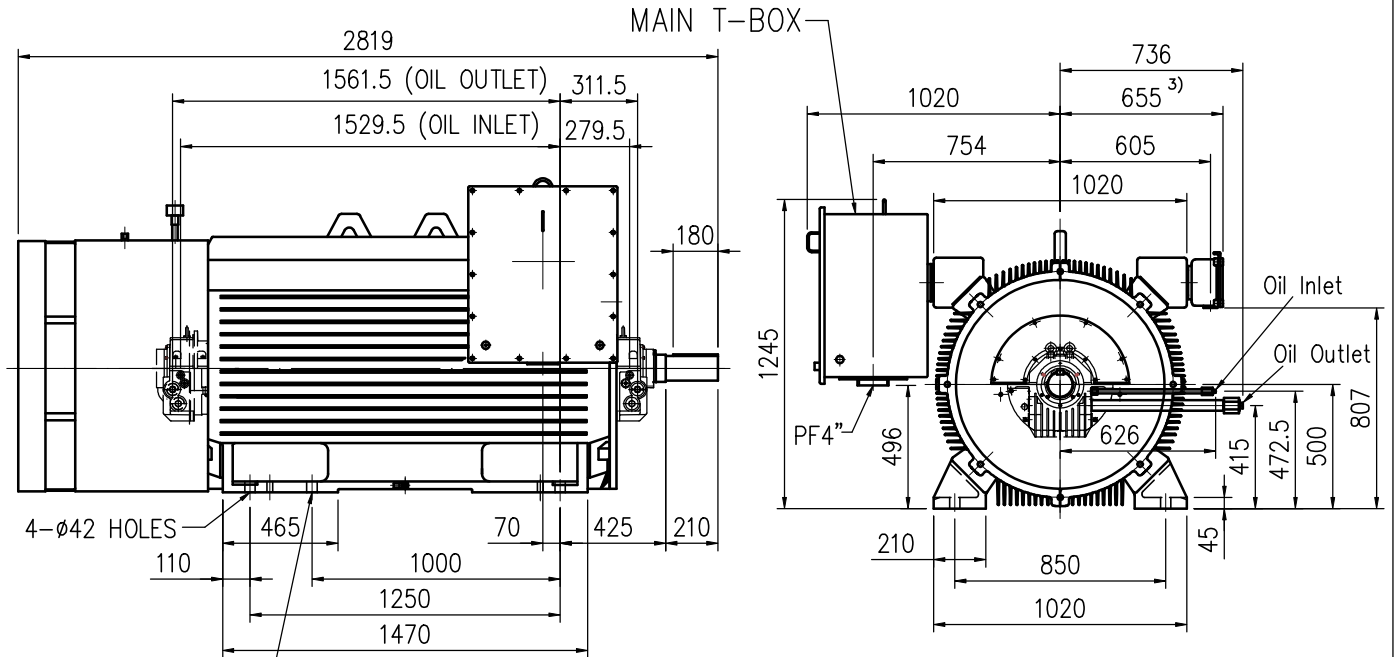
**PROJECT NO:**

**CUSTOMER:**

**PO. NO:**

**ORDER NO:**

OUTPUT	POLE	SYN. SPEED RPM	VOLT. V	FREQ HZ	INSUL. F	TIME RATING CONT.	MODEL TIK-FCCN	FRAME NO. N500LL
--------	------	-------------------	------------	------------	-------------	----------------------	-------------------	---------------------



2 SPARE HOLES  
(NOT USED FOR GENERAL MOUNTING)

Note:

- 1) Tolerance of shaft end diameter : m6
- 2) Tolerance of shaft center height : +0 , -1.0
- 3) Auxiliary terminal box is optional and dependent on specified accessories.
- 4) For direct coupling.
- 5) Approximate weight of maximum rated power = 6500 kg
- 6) Drive end bearing: 90-100  
Opposite drive end bearing: 90-100  
Sleeve bearing self lubrication with oil ring.  
Drive end and Non-drive end : Turbine oil ISO VG32  
Lubrication: (a) Quantity of Req: 4X4 L/min  
(b) Oil pressure: 1.0kg/cm<sup>2</sup>  
(c) Oil inlet temp: 40°C(MAX)  
Limits of end play 6.5 mm (at one side)  
Allowance of total end play 13mm
- 7) Direction of rotation : C.W (viewed from non-drive end)

Preliminary only



BASIC DWG NO: FB- 5904

<b>CERTIFIED</b>	<b>BY:</b>	<b>DATE:</b>
<b>DESIGNED</b>	<b>C.C.LIAO</b>	<b>DIMENSIONS IN mm</b>
<b>CHECKED</b>	<b>W.C.HAUNG</b>	<b>3RD ANGLE PROJECTION</b>
<b>APPROVED</b>	<b>T.F.CHENG</b>	<b>DATE:</b>