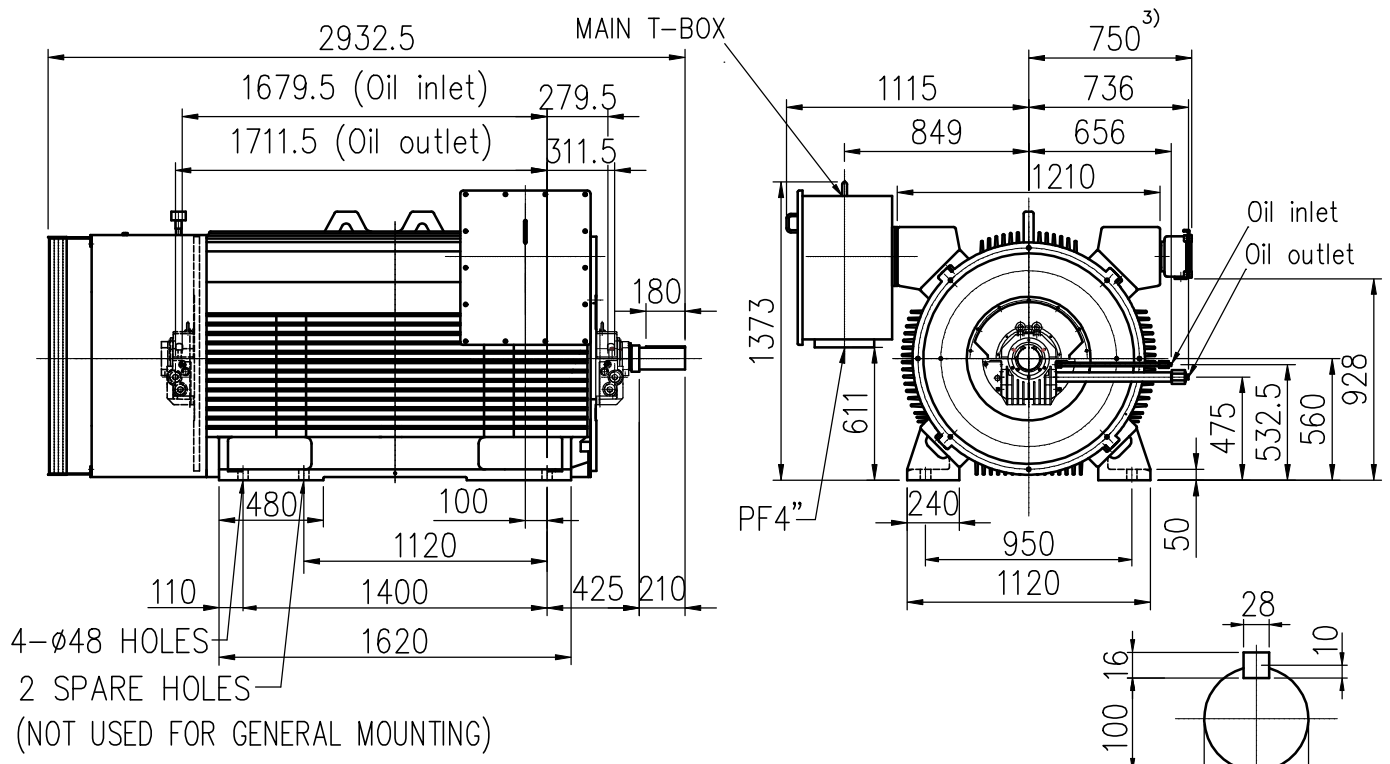


OUTLINE 3-PHASE INDUCTION MOTOR (TS21F II Series)

**TOTALLY ENCLOSED
FAN COOLED
SQUIRREL CAGE ROTOR
SLEEVE BEARING**

PROJECT NO:
CUSTOMER:
PO. NO:
ORDER NO:

OUTPUT	POLE	SYN. SPEED	VOLT.	FREQ	INSUL.	TIME RATING	MODEL	FRAME NO.
		RPM	V	HZ	F	CONT.	TIK-FCKN	N560LL



- Note:
- 1) Tolerance of shaft end diameter D: m6
 - 2) Tolerance of shaft center height H: +0 , -1.0
 - 3) Auxiliary terminal box is optional and dependent on specified accessories.
 - 4) For direct coupling.
 - 5) Approximate weight of maximum rated power= 8600 kg
 - 6) Drive end bearing: 09-100
Opposite drive end bearing: 09-100
Sleeve bearing self lubrication with oil ring.
Drive end and Non-drive end : Turbine oil ISO VG32
Lubrication: (a) Quantity of Req: 2X4 L/min
(b) Oil pressure: 1.0kg/cm
(c) Oil inlet temp: 40°C(MAX)
Limits of end play 6.5 mm (at one side)
Allowance of total end play 13mm
 - 7) Rotation: C.W Viewed From Non-Drive End.
- Preliminary Only



CERTIFIED BY:		DATE:
DESIGNED	Y.L.HUANG	DIMENSIONS IN mm
CHECKED	W.C.HUANG	3RD ANGLE PROJECTION
APPROVED	W.C.HUANG	DATE: