

**OUTLINE  
3-PHASE  
INDUCTION MOTOR**  
(TS21F II Series)

TOTALLY ENCLOSED  
FAN COOLED  
SQUIRREL CAGE ROTOR  
ANTI-FRICTION BEARING

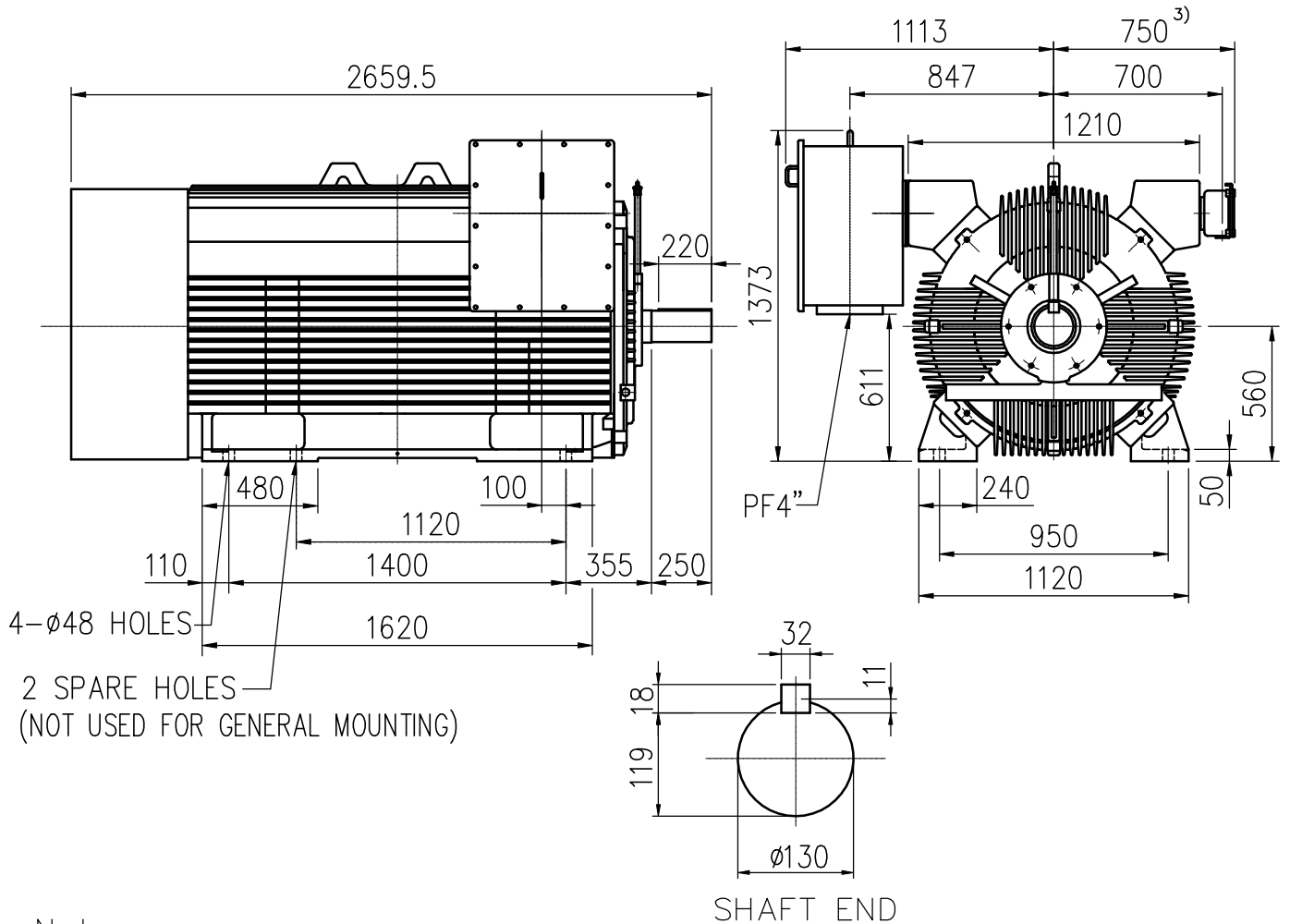
PROJECT NO:

CUSTOMER:

PO. NO:

ORDER NO:

OUTPUT	POLE	SYN. SPEED RPM	VOLT. V	FREQ HZ	INSUL. F	TIME RATING CONT.	MODEL TIK-FCK	FRAME NO. N560LL
--------	------	-------------------	------------	------------	-------------	----------------------	------------------	---------------------



Note:

- 1) Tolerance of shaft end diameter D: m6
- 2) Tolerance of shaft center height H: +0 , -1.0
- 3) Auxiliary terminal box is optional and dependent on specified accessories
- 4) For direct coupling.
- 5) Approximate weight of maximum rated power= 8500 kg
- 6) Drive end bearing: NU228C3+6228C3  
Opposite drive end bearing: NU228C3
- 7) Rotation : C.W Viewed From Non-Drive End.
- 8) Total length will be extended 300 mm for low noise level.

Preliminary Only



BASIC DWG NO: FB-5907

CERTIFIED BY:		DATE:
DESIGNED	Y.L.HUANG	DIMENSIONS IN mm
CHECKED	W.C.HUANG	3RD ANGLE PROJECTION
APPROVED	W.C.HUANG	DATE: