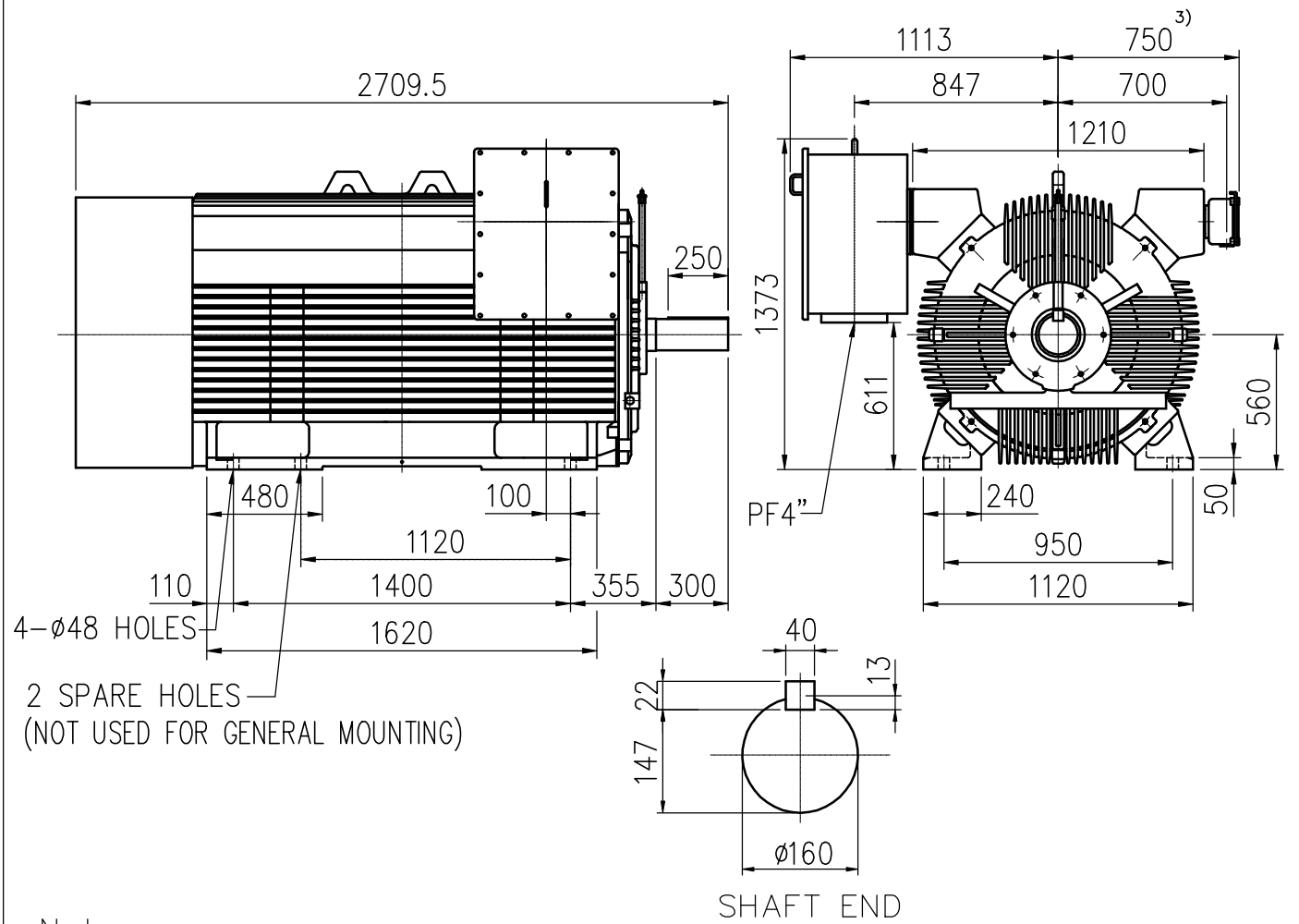


OUTLINE 3-PHASE INDUCTION MOTOR (TS21F II Series)

TOTALLY ENCLOSED
FAN COOLED
SQUIRREL CAGE ROTOR
ANTI-FRICTION BEARING

PROJECT NO:
CUSTOMER:
PO. NO:
ORDER NO:

| OUTPUT | POLE | SYN. SPEED | VOLT. | FREQ | INSUL. | TIME RATING | MODEL | FRAME NO. |
|--------|------|------------|-------|------|--------|-------------|---------|-----------|
| | | RPM | V | HZ | F | CONT. | TIK-FCK | N560LL |



Note:

- 1) Tolerance of shaft end diameter D: m6
- 2) Tolerance of shaft center height H: +0 , -1.0
- 3) Auxiliary terminal box is optional and dependent on specified accessories
- 4) For direct coupling.
- 5) Approximate weight of maximum rated power= 9000 kg
- 6) Drive end bearing: NU1034C3+6034C3
Opposite drive end bearing: NU228C3
- 7) Rotation : C.W Viewed From Non-Drive End.
- 8) Total length will be extended 300 mm for low noise level.

Preliminary Only



| | | |
|---------------|-----------|----------------------|
| CERTIFIED BY: | | DATE: |
| DESIGNED | Y.L.HUANG | DIMENSIONS IN mm |
| CHECKED | W.C.HUANG | 3RD ANGLE PROJECTION |
| APPROVED | W.C.HUANG | DATE: |