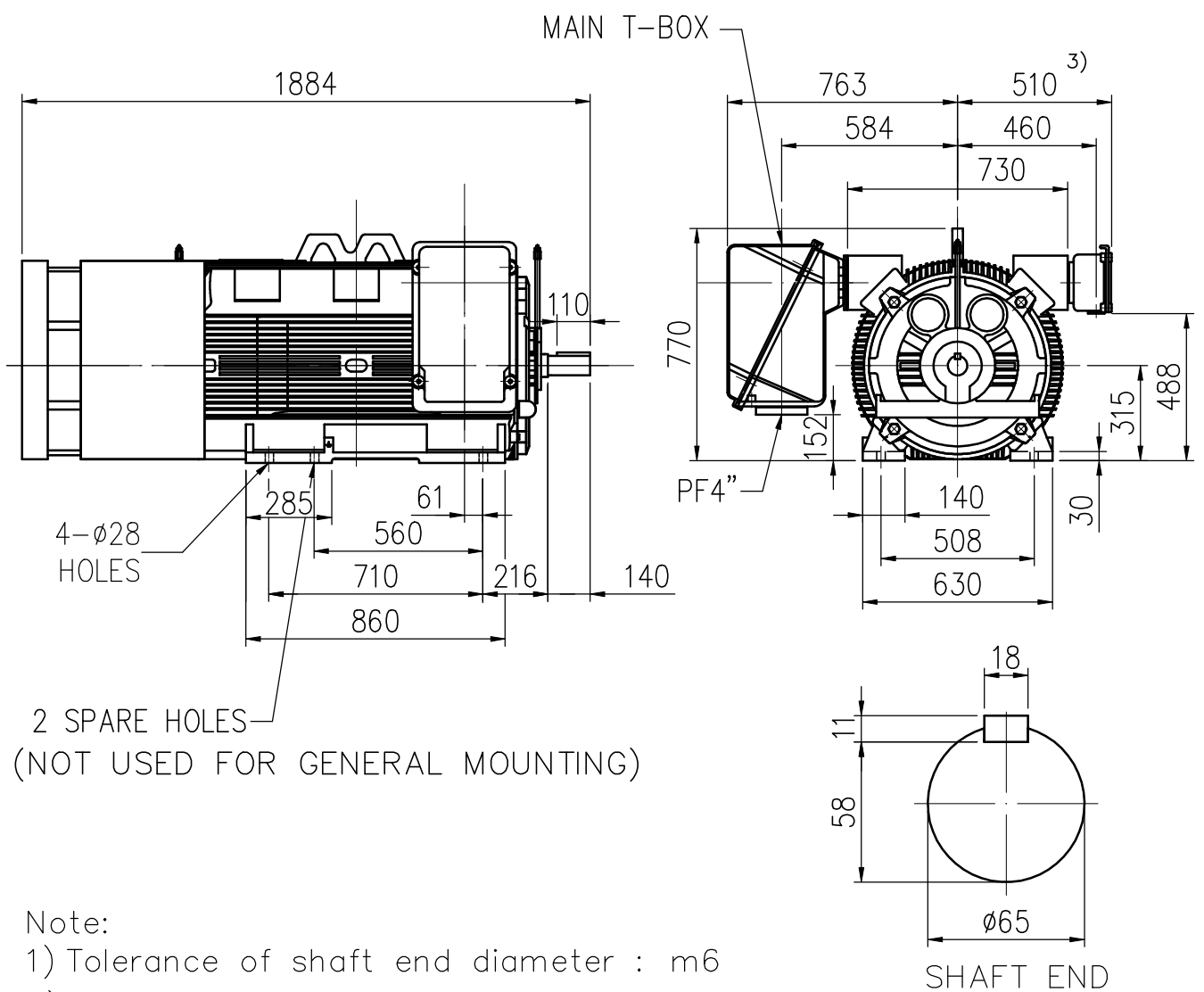


**OUTLINE**  
**3-PHASE**  
**INDUCTION MOTOR**  
 (TS21F II Series)

TOTALLY ENCLOSED  
 FAN COOLED  
 SQUIRREL CAGE ROTOR  
 ANTI-FRICTION BEARING

PROJECT NO:  
 CUSTOMER:  
 PO. NO:  
 ORDER NO:

OUTPUT	POLE	SYN. SPEED	VOLT.	FREQ	INSUL.	TIME RATING	MODEL	FRAME NO.
		RPM.	V.	HZ		CONT.	TIK-FCKN	N315LL



2 SPARE HOLES  
 (NOT USED FOR GENERAL MOUNTING)

- Note:
- 1) Tolerance of shaft end diameter : m6
  - 2) Tolerance of shaft center height : +0 , -1.0
  - 3) Auxiliary terminal box is optional and dependent on specified accessories.
  - 4) For direct coupling.
  - 5) Approximate weight of maximum rated power= 1800 kg
  - 6) Drive end bearing: 6218C3  
 Opposite drive end bearing: 6218C3
  - 7) Rotation: C.W Viewed from Non-Drive end.

Preliminary Drawing for Reference Only



CERTIFIED BY:		DATE:
DESIGNED	Y.L.HUANG	DIMENSIONS IN mm
CHECKED	W.C.HUANG	3RD ANGLE PROJECTION
APPROVED	T.F.CHENG	DATE: