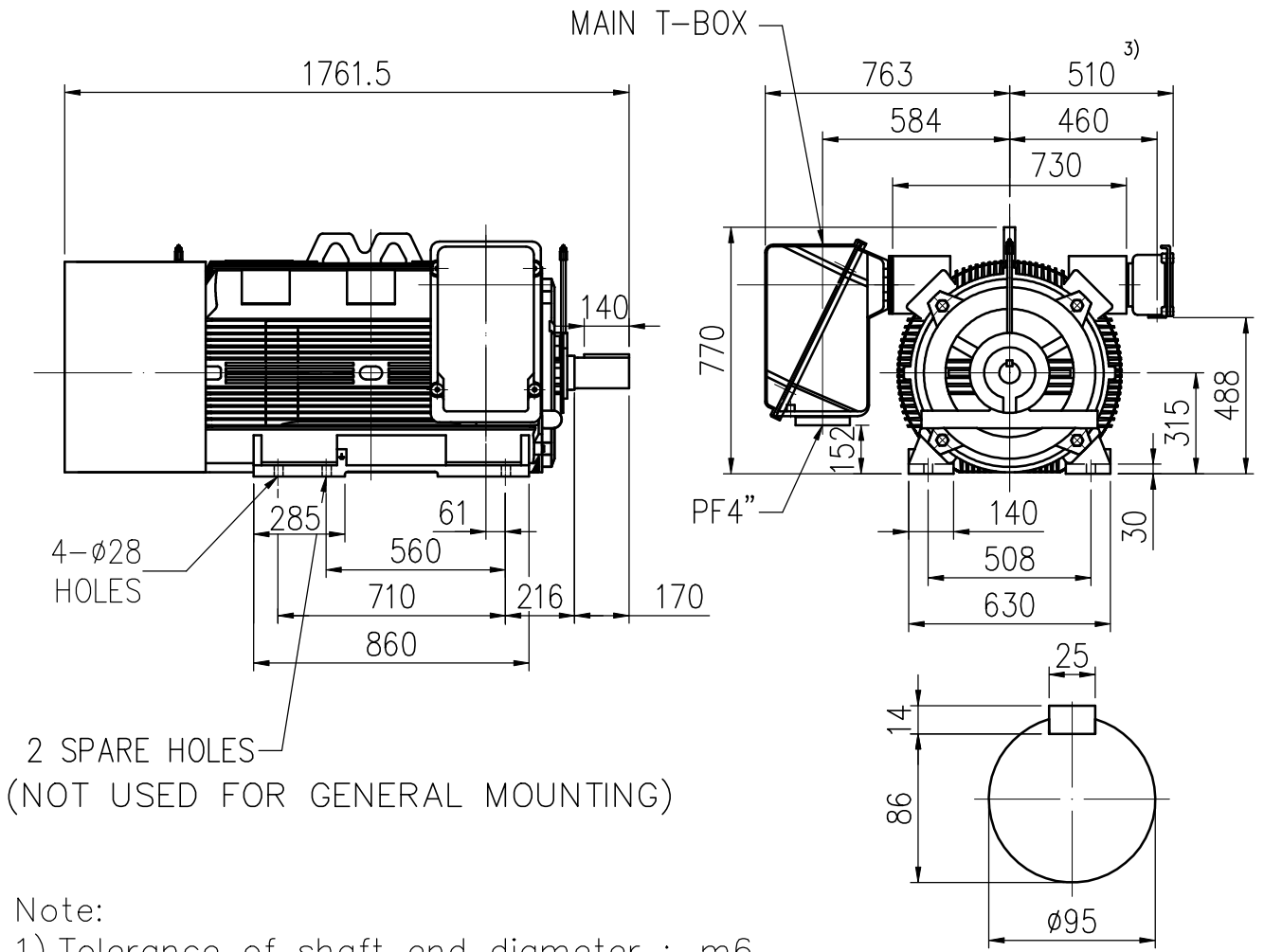


OUTLINE
3-PHASE
INDUCTION MOTOR
 (TS21F II Series)

TOTALLY ENCLOSED
 FAN COOLED
 SQUIRREL CAGE ROTOR
 ANTI-FRICTION BEARING

PROJECT NO:
 CUSTOMER:
 PO. NO:
 ORDER NO:

OUTPUT	POLE	SYN. SPEED	VOLT.	FREQ	INSUL.	TIME RATING	MODEL	FRAME NO.
		RPM.	V.	HZ		CONT.	TIK-FCK	N315LL



2 SPARE HOLES
 (NOT USED FOR GENERAL MOUNTING)

- Note:
- 1) Tolerance of shaft end diameter : m6
 - 2) Tolerance of shaft center height : +0 , -1.0
 - 3) Auxiliary terminal box is optional and dependent on specified accessories.
 - 4) For direct coupling.
 - 5) Approximate weight of maximum rated power= 1890 kg
 - 6) Drive end bearing: 6222
 Opposite drive end bearing: 6222
 - 7) Rotation: C.W Viewed from Non-Drive end.
 - 8) Total length will be extended 300 mm for low noise level.



CERTIFIED BY:		DATE:
DESIGNED	Y.L.HUANG	DIMENSIONS IN mm
CHECKED	W.C.HUANG	3RD ANGLE PROJECTION
APPROVED	T.F.CHENG	DATE: