

**OUTLINE  
3-PHASE  
INDUCTION MOTOR  
(TS21F II SERIES)**

**TOTALLY ENCLOSED  
FAN COOLED  
SQUIRREL CAGE ROTOR  
ANTI-FRICTION BEARING**

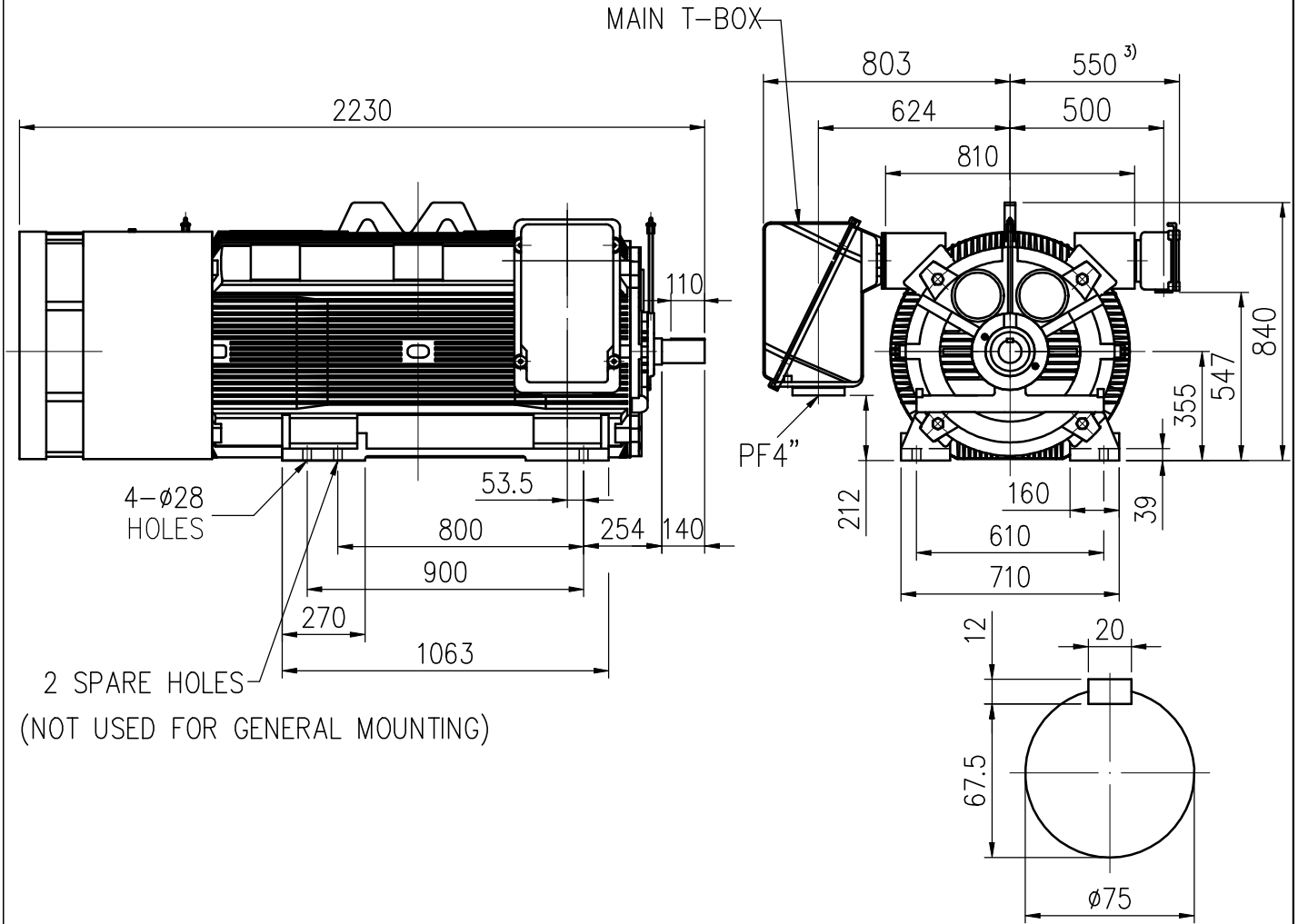
**PROJECT NO:**

**CUSTOMER:**

**PO. NO:**

**ORDER NO:**

OUTPUT	POLE	SYN. SPEED	VOLT.	FREQ	INSUL.	TIME RATING	MODEL	FRAME NO.
		RPM.	V.	HZ	F	CONT.	TIK-FCKN	N355LL



Note:

- 1) Tolerance of shaft end diameter : m6
- 2) Tolerance of shaft center height : +0 , -1.0
- 3) Auxiliary terminal box is optional and dependent on specified accessories.
- 4) For direct coupling.
- 5) Approximate weight of maximum rated power= 2900 kg
- 6) Drive end bearing: 6218C3  
Opposite drive end bearing: 6218C3
- 7) Rotation: C.W Viewed from Non-Drive end.

Preliminary Only



BASIC DWG NO: FB-5915

CERTIFIED BY:		DATE:
DESIGNED	C.C.LIAO	DIMENSIONS IN mm
CHECKED	W.C.HUANG	3RD ANGLE PROJECTION
APPROVED	T.F.CHENG	DATE: