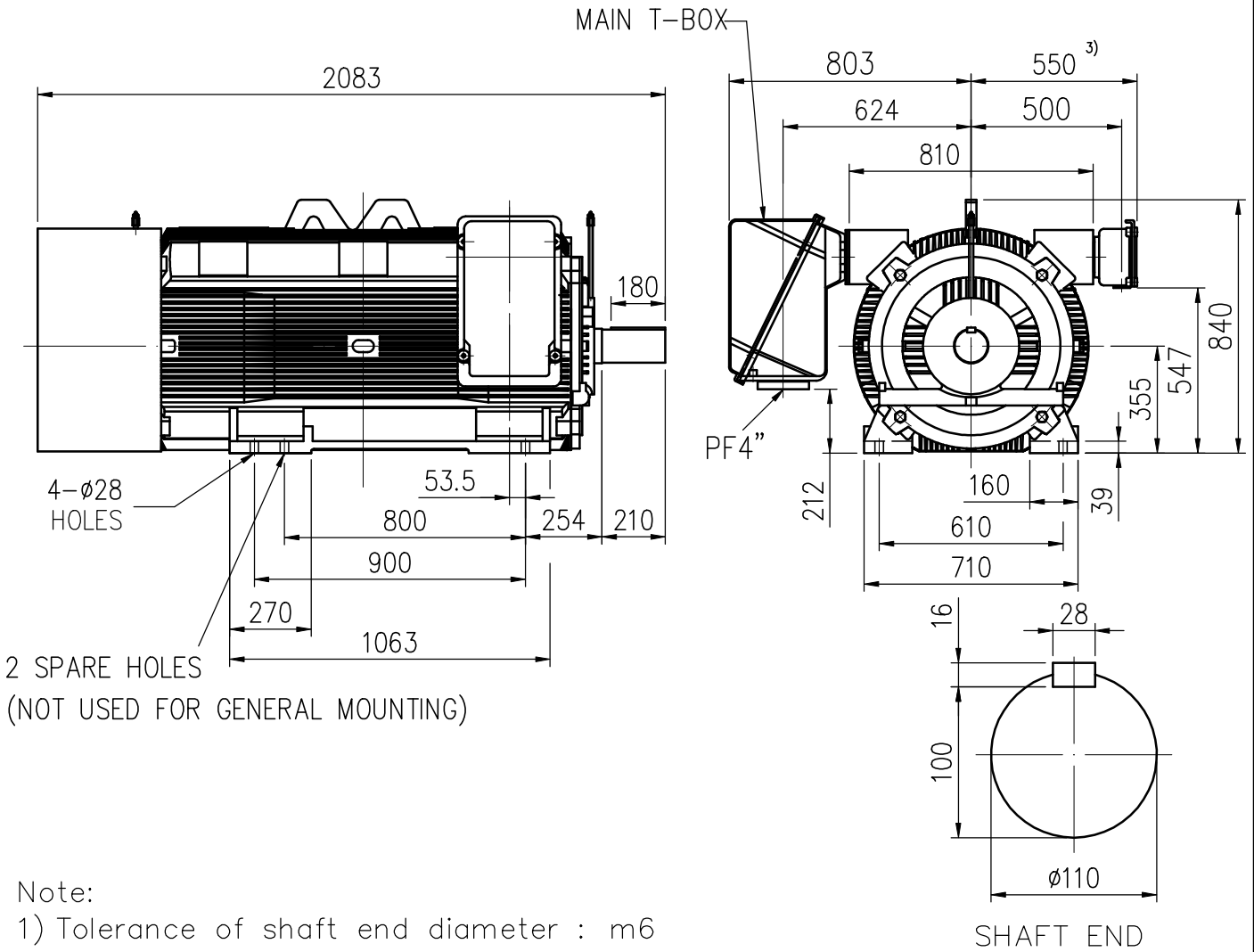


**OUTLINE
3-PHASE
INDUCTION MOTOR
(TS21F II SERIES)**

**TOTALLY ENCLOSED
FAN COOLED
SQUIRREL CAGE ROTOR
ANTI-FRICTION BEARING**

**PROJECT NO:
CUSTOMER:
PO. NO:
ORDER NO:**

OUTPUT	POLE	SYN. SPEED RPM.	VOLT. V.	FREQ HZ	INSUL. F	TIME RATING CONT.	MODEL TIK-FCK	FRAME NO. N355LL
--------	------	--------------------	-------------	------------	-------------	----------------------	------------------	---------------------



2 SPARE HOLES
(NOT USED FOR GENERAL MOUNTING)

Note:

- 1) Tolerance of shaft end diameter : m6
- 2) Tolerance of shaft center height : +0 , -1.0
- 3) Auxiliary terminal box is optional and dependent on specified accessories.
- 4) For direct coupling.
- 5) Approximate weight of maximum rated power= 3050 kg
- 6) Drive end bearing: 6224C3
Opposite drive end bearing: 6224C3
- 7) Rotation: C.W Viewed from Non-Drive end.
- 8) Total length will be extend 300mm for low noise level.

Preliminary Only



BASIC DWG NO: FB-5916

CERTIFIED BY:		DATE:
DESIGNED	C.C.LIAO	DIMENSIONS IN mm
CHECKED	W.C.HUANG	3RD ANGLE PROJECTION
APPROVED	T.F.CHENG	DATE: