

**OUTLINE
3-PHASE
INDUCTION MOTOR
(TS21FII SERIES)**

**TOTALLY ENCLOSED
FAN COOLED
SQUIRREL CAGE ROTOR
ANTI-FRICTION BEARING**

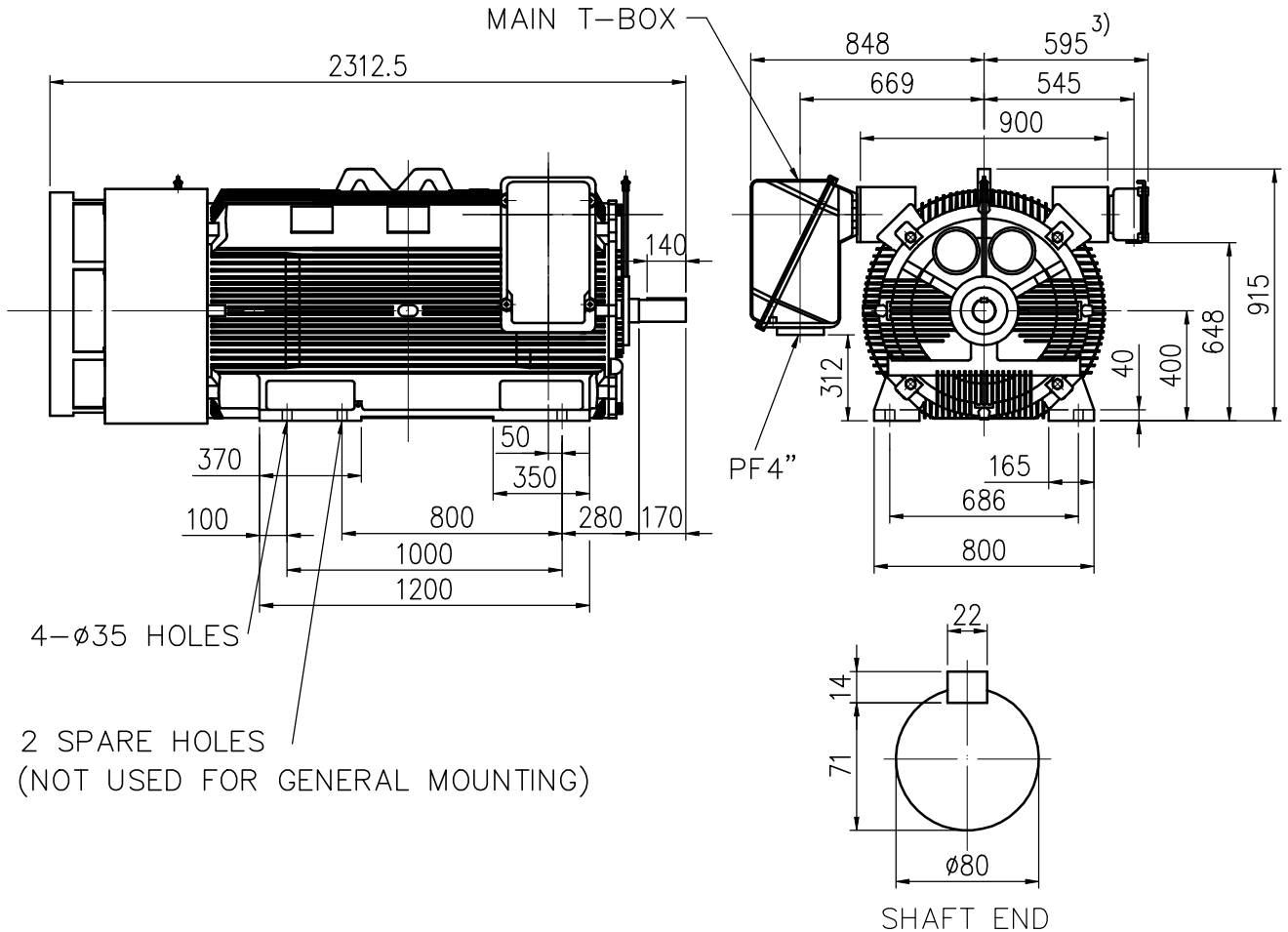
PROJECT NO:

CUSTOMER:

PO. NO:

ORDER NO:

OUTPUT	POLE	SYN. SPEED RPM.	VOLT. V.	FREQ HZ	INSUL. F	TIME RATING CONT.	MODEL TIK-FCKN	FRAME NO. N400LL
--------	------	--------------------	-------------	------------	-------------	----------------------	-------------------	---------------------



Note:

- 1) Tolerance of shaft end diameter : m6
- 2) Tolerance of shaft center height : +0 , -1.0
- 3) Auxiliary terminal box is optional and dependent on specified accessories.
- 4) For direct coupling.
- 5) Approximate weight of maximum rated power= 3850 kg
- 6) Drive end bearing: 6218C3
Opposite drive end bearing: 6218C3
- 7) Rotation: C.W Viewed from Non-Drive end.

Preliminary Only



BASIC DWG NO: FB-5917

CERTIFIED BY:		DATE:
DESIGNED	C.H.CHANG	DIMENSIONS IN mm
CHECKED	W.C.HUANG	3RD ANGLE PROJECTION
APPROVED	T.F.CHENG	DATE: