

**OUTLINE  
3-PHASE  
INDUCTION MOTOR  
(TS21FII SERIES)**

**TOTALLY ENCLOSED  
FAN COOLED  
SQUIRREL CAGE ROTOR  
ANTI-FRICTION BEARING**

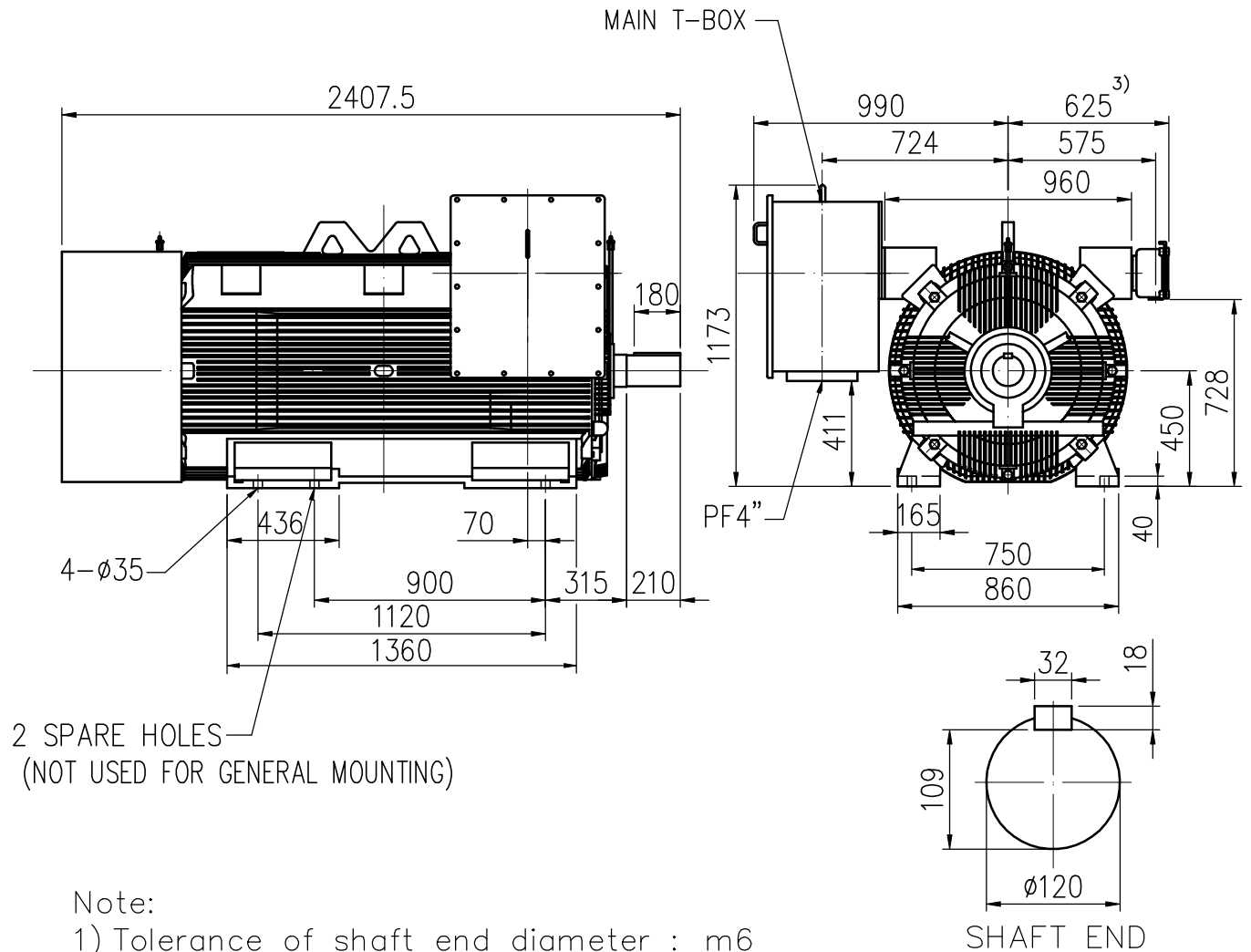
**PROJECT NO:**

**CUSTOMER:**

**PO. NO:**

**ORDER NO:**

OUTPUT	POLE	SYN. SPEED RPM.	VOLT. V.	FREQ HZ	INSUL.	TIME RATING CONT.	MODEL TIK-FCKN	FRAME NO. N450LL
--------	------	--------------------	-------------	------------	--------	----------------------	-------------------	---------------------



Note:

- 1) Tolerance of shaft end diameter : m6
- 2) Tolerance of shaft center height : +0 , -1.0
- 3) Auxiliary terminal box is optional and dependent on specified accessories.
- 4) For direct coupling.
- 5) Approximate weight of maximum rated power= 4800 kg
- 6) Drive end bearing: 6226C3  
Opposite drive end bearing: 6224C3
- 7) Rotation: C.W Viewed from Non-Drive end.
- 8) Total length will be extended 300 mm for low noise level.

Preliminary Only



BASIC DWG NO:FB-5920

CERTIFIED BY:		DATE:
DESIGNED	Y.L.HUANG	DIMENSIONS IN mm
CHECKED	W.C.HUANG	3RD ANGLE PROJECTION
APPROVED	T.F.CHENG	DATE: