

**OUTLINE
3-PHASE
INDUCTION MOTOR
(TS21F II SERIES)**

**TOTALLY ENCLOSED
FAN COOLED
SQUIRREL CAGE ROTOR
SLEEVE BEARING**

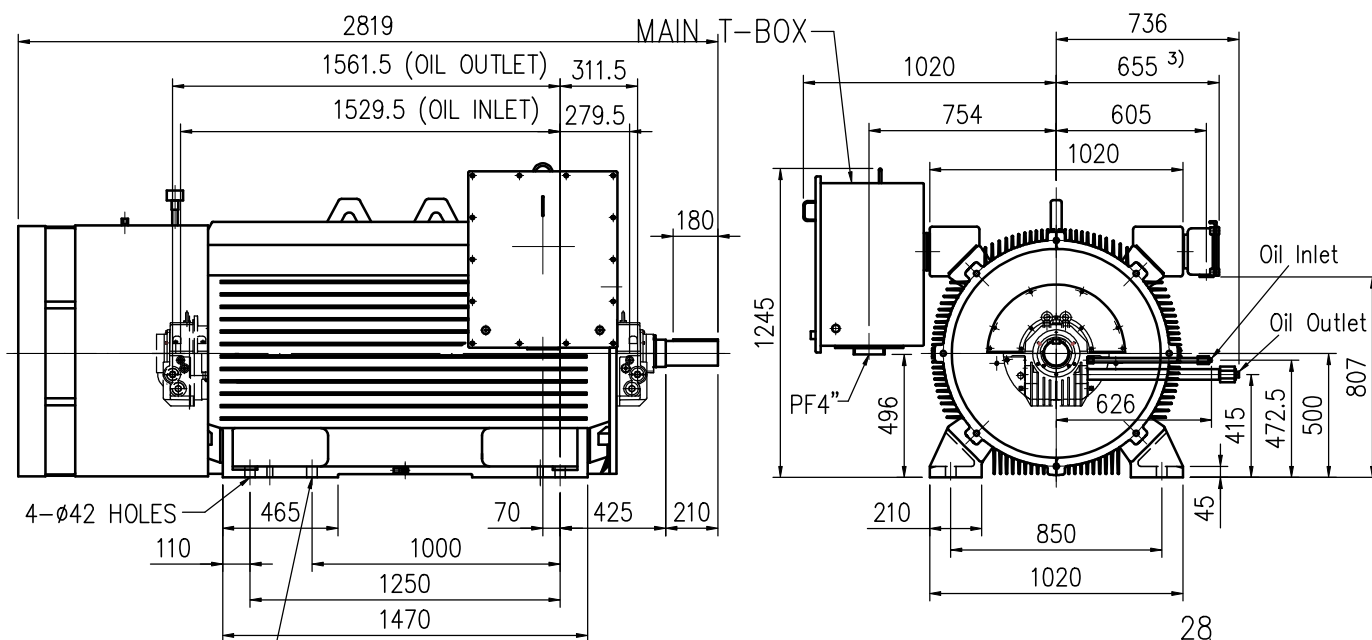
PROJECT NO:

CUSTOMER:

PO. NO:

ORDER NO:

OUTPUT	POLE	SYN. SPEED RPM	VOLT. V	FREQ HZ	INSUL. F	TIME RATING CONT.	MODEL TIK-FCCN	FRAME NO. N500LL
--------	------	-------------------	------------	------------	-------------	----------------------	-------------------	---------------------



2 SPARE HOLES
(NOT USED FOR GENERAL MOUNTING)

Note:

- 1) Tolerance of shaft end diameter : m6
- 2) Tolerance of shaft center height : +0 , -1.0
- 3) Auxiliary terminal box is optional and dependent on specified accessories.
- 4) For direct coupling.
- 5) Approximate weight of maximum rated power= 6500 kg
- 6) Drive end bearing: 90-100
Opposite drive end bearing: 90-100
Sleeve bearing self lubrication with oil ring.
Drive end and Non-drive end : Turbine oil ISO VG32
Lubrication:(a) Quantity of Req: 4X4 L/min
(b) Oil pressure: 1.0kg/cm²
(c) Oil inlet temp: 40°C(MAX)
- Limits of end play 6.5 mm (at one side)
Allowance of total end play 13mm
- 7) Direction of rotation : C.W (viewed from non-drive end)

Preliminary only



BASIC DWG NO:FB- 5921

CERTIFIED	BY:	DATE:
DESIGNED	C.C.LIAO	DIMENSIONS IN mm
CHECKED	W.C.HAUNG	3RD ANGLE PROJECTION
APPROVED	T.F.CHENG	DATE: