

OUTLINE 3-PHASE INDUCTION MOTOR (TS21FII SERIES)

TOTALLY ENCLOSED
FAN COOLED
SQUIRREL CAGE ROTOR
ANTI-FRICTION BEARING

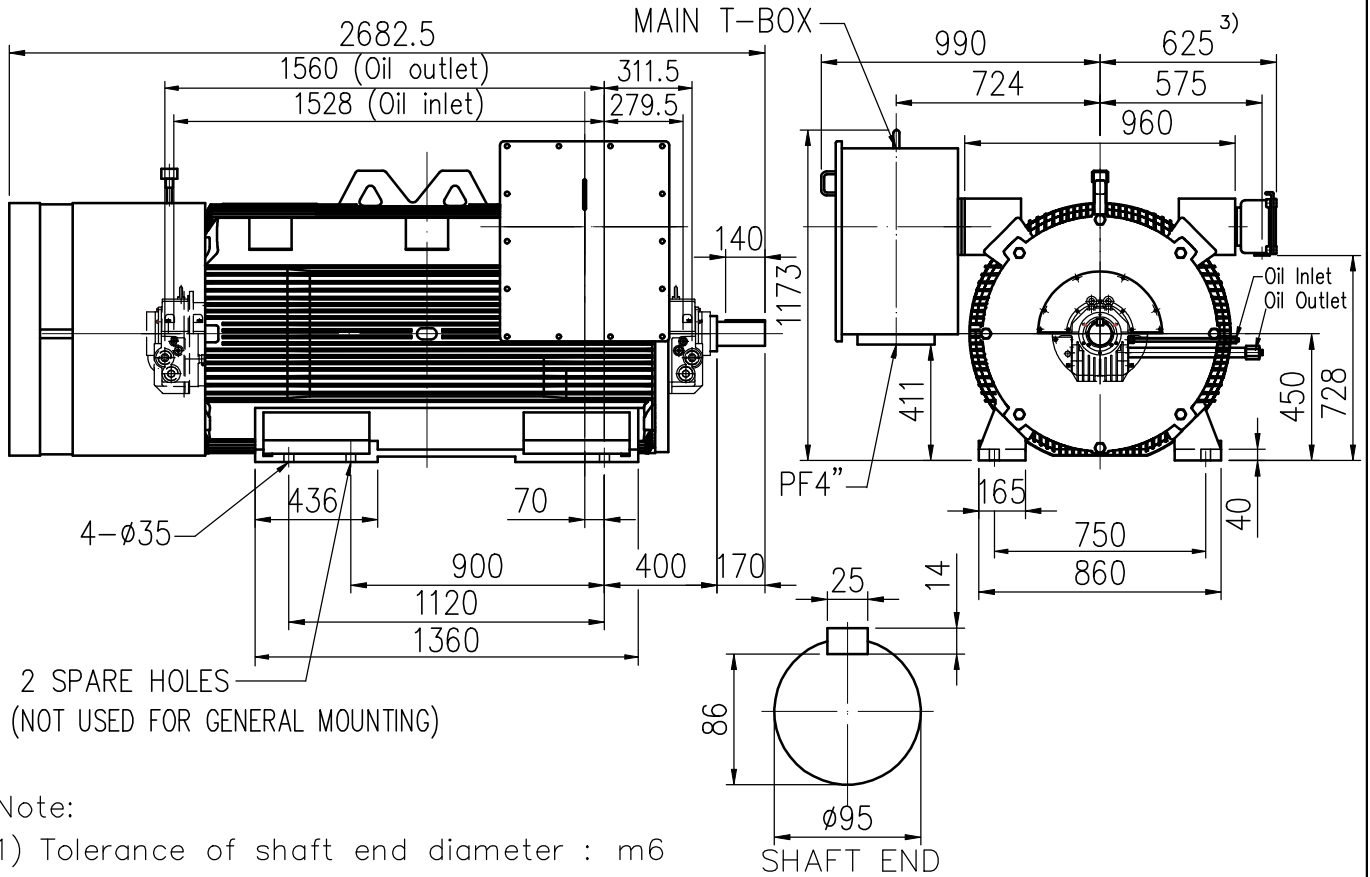
PROJECT NO:

CUSTOMER:

PO. NO:

ORDER NO:

OUTPUT	POLE	SYN. SPEED	VOLT.	FREQ	INSUL.	TIME RATING	MODEL	FRAME NO.
		RPM.	V.	HZ		CONT.	TIK-FCKN	N450LL



2 SPARE HOLES
(NOT USED FOR GENERAL MOUNTING)

Note:

- 1) Tolerance of shaft end diameter : m6
- 2) Tolerance of shaft center height : +0 , -1.0
- 3) Auxiliary terminal box is optional and dependent on specified accessories.
- 4) For direct coupling.
- 5) Approximate weight of maximum rated power= 4800 kg
- 6) Drive end bearing: 09-100
 Opposite drive end bearing: 09-100
 Sleeve bearing self lubrication with oil ring.
 Drive end and Non-drive end : Turbine oil ISO VG32.
 Lubrication: (a) Quantity of Req: 2 X 4 L³/min.
 (b) Oil pressure: 1.0kg/cm²
 (c) Oil inlet temp: 40 °C(MAX)
 Limits of end play 6.5mm (at one side)
 Allowance of total end play 13mm.
- 7) Rotation: C.W Viewed from Non-Drive end.

Preliminary Only



CERTIFIED BY:		DATE:
DESIGNED	J.J.SYU	DIMENSIONS IN mm
CHECKED	C.P.SU	3RD ANGLE PROJECTION
APPROVED	C.P.SU	DATE: