

OUTLINE 3-PHASE INDUCTION MOTOR

TOTALLY ENCLOSED
FAN COOLED
SQUIRREL CAGE ROTOR
ANTI-FRICTION BEARING

PROJECT NO:

CUSTOMER:

PO. NO:

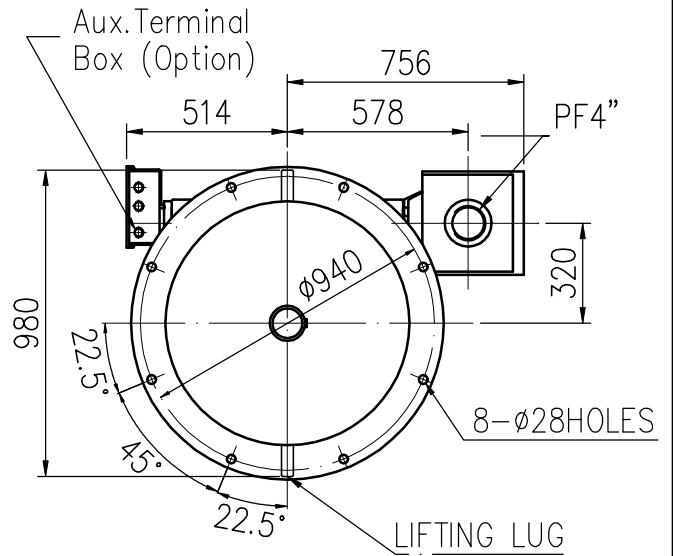
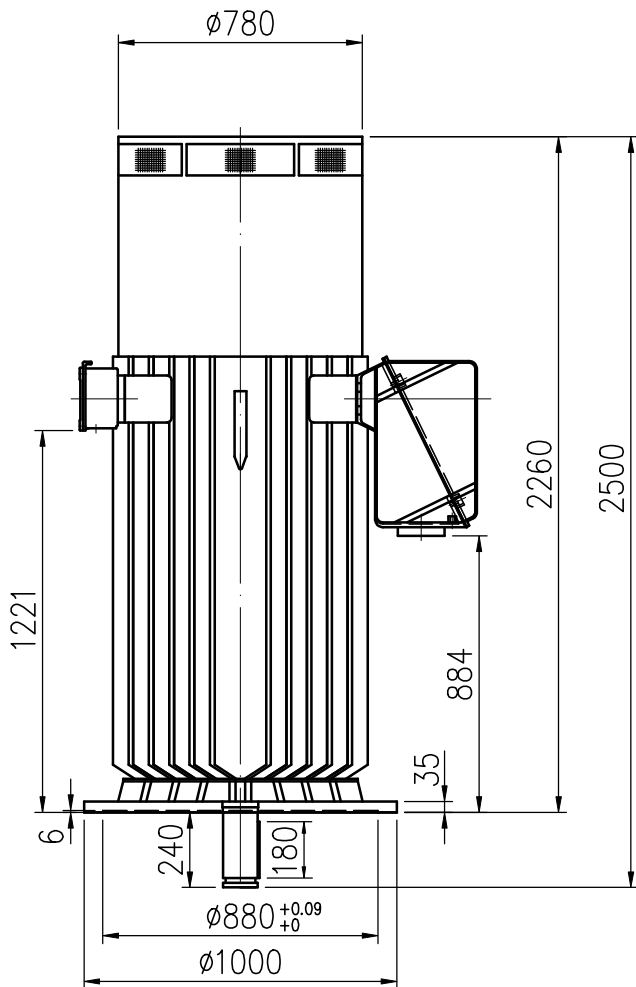
ORDER NO:

OUTPUT	POLE	SYN. SPEED	VOLT.	FREQ	INSUL.	TIME RATING	MODEL	FRAME NO.
		RPM.	V.	HZ	F	CONT.	TIK-FCKTW	N355LL

Preliminary Drawing for Reference Only

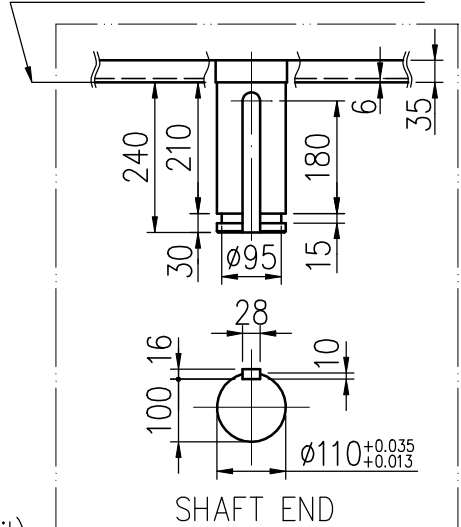
* THRUST LOAD CAPACITY

- _____ KGS CONTINUOUS DOWN
- _____ KGS MOMENTARY DOWN
- _____ KGS INSTANTANEOUS UP
- _____ NONREVERSE RATCHET MECHANISM
- _____ DIRECTION OF ROTATION
- _____ (VIEWED FROM TOP SIDE)



VIEW FROM SHAFT END

MOUNTED FACE OF FLANGE



Note:

- (1) Tolerance of shaft end diameter : m6
- (2) For direct coupling
- (3) Apporximate weight = 3500kg
- (4) Auxiliary terminal box is optional and dependent on specified accessories
- (5) Drive end bearing: 6224C3 (lubrication: grease)
opposite drive end bearing: 29330+6028 (lubrication: oil)
(Thrust bearing)

CERTIFIED	BY:	DATE:
DESIGNED	Y.R.YANG	DIMENSIONS IN mm
CHECKED	T.F.CHENG	3RD ANGLE PROJECTION
APPROVED	T.F.CHENG	DATE: FEB.20.2010



BASIC DWG NO:AL-FB-5307