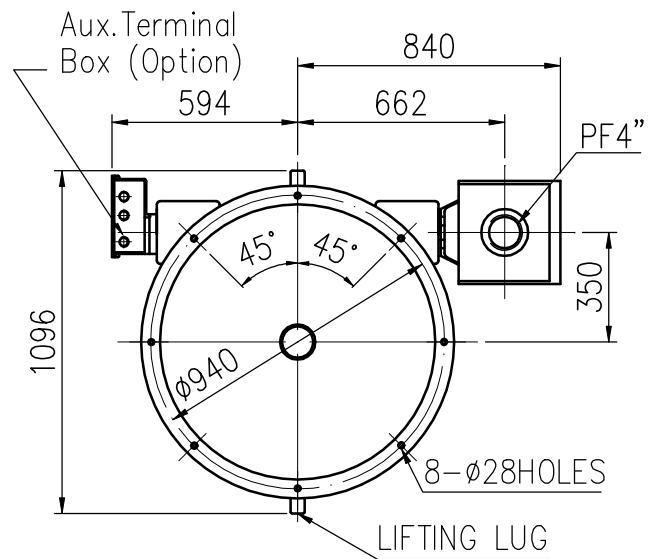
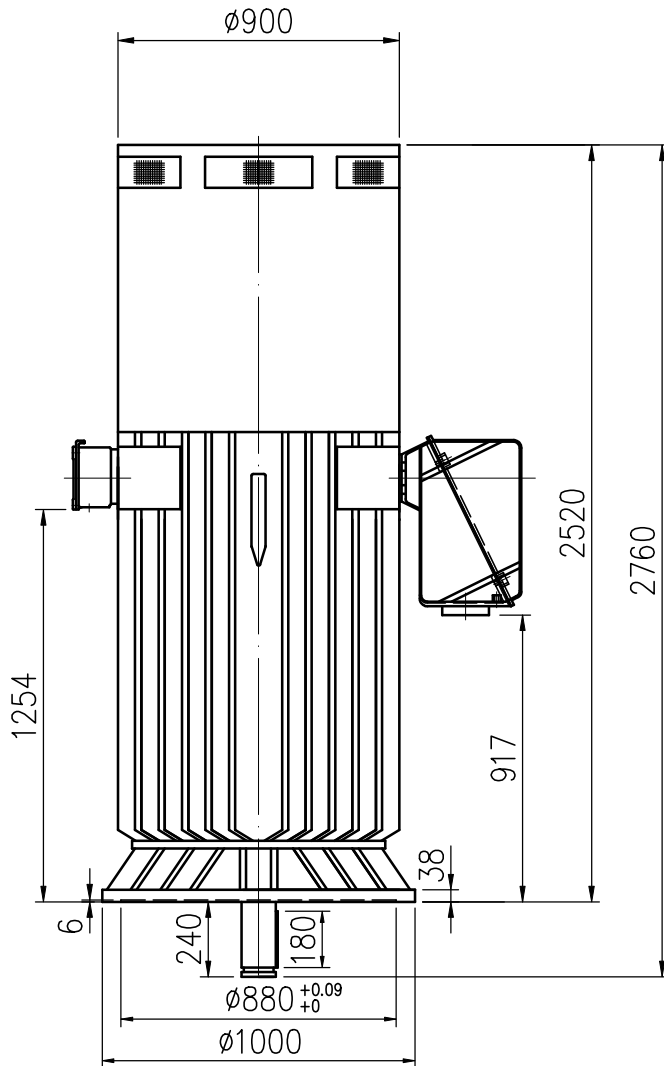


OUTLINE 3-PHASE INDUCTION MOTOR	TOTALLY ENCLOSED FAN COOLED SQUIRREL CAGE ROTOR ANTI-FRICTION BEARING	PROJECT NO:
		CUSTOMER: PO. NO: ORDER NO:

OUTPUT	POLE	SYN. SPEED	VOLT.	FREQ	INSUL.	TIME RATING	MODEL	FRAME NO.
		RPM.	V.	HZ	F	CONT.	TIK-FCKTW	N400LL

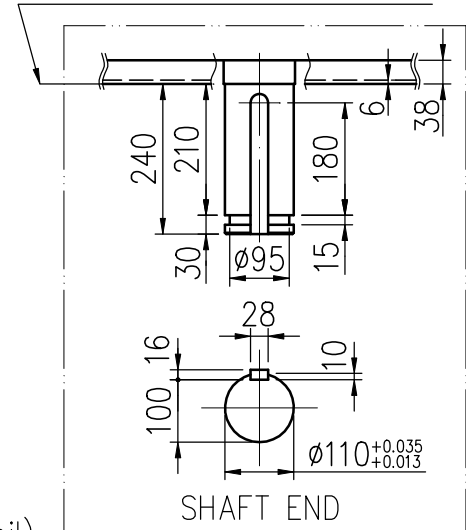
Preliminary Drawing for Reference Only

* THRUST LOAD CAPACITY
 _____ KGS CONTINUOUS DOWN
 _____ KGS MOMENTARY DOWN
 _____ KGS INSTANTANEOUS UP
 _____ NONREVERSE RATCHET MECHANISM
 _____ DIRECTION OF ROTATION
 _____ (VIEWED FROM TOP SIDE)



VIEW FROM SHAFT END

MOUNTED FACE OF FLANGE



Note:

- (1) Tolerance of shaft end diameter : m6
- (2) For direct coupling
- (3) Apporximate weight=4900kg
- (4) Auxiliary terminal box is optional and dependent on specified accessories
- (5) Drive end bearing: 6224C3(lubrication: grease)
 opposite drive end bearing: 29330+6028(lubrication: oil)
 (Thrust bearing)

CERTIFIED	BY:	DATE:
DESIGNED	Y.R.YANG	DIMENSIONS IN mm
CHECKED	T.F.CHENG	3RD ANGLE PROJECTION
APPROVED	T.F.CHENG	DATE: MAR.03.2010



BASIC DWG NO:AL-FB-5308