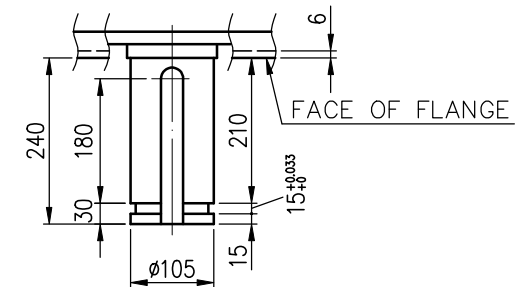
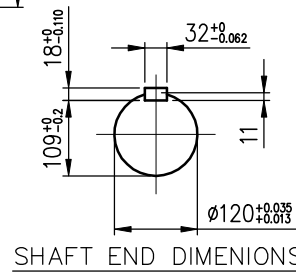
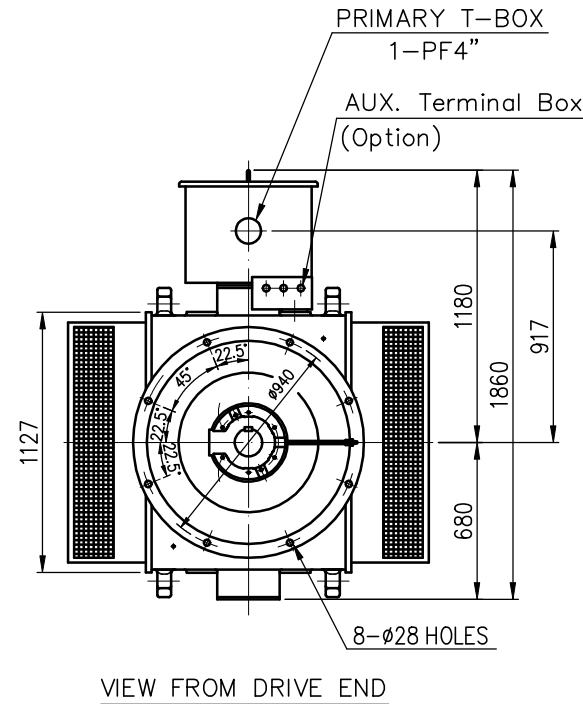
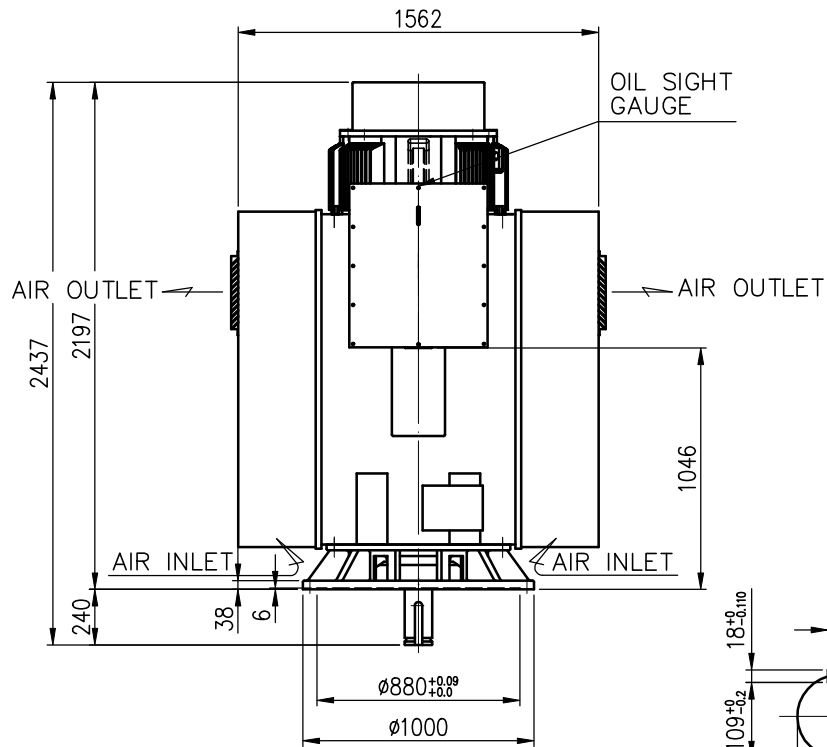


TECHNICAL INFORMATION

1. ENCLOSURE: WPII
2. BEARING LUBRICATION:
 DRIVE END: GREASE
 NON DRIVE END : OIL
3. THRUST LOAD CAPACITY:
 _____ KG CONTINUOUS DOWN
 _____ KG MOMENTARY DOWN
 _____ KG INSTANTANEOUS UP
4. ROTATION: _____
 VIEW FROM NON-DRIVE END
5. _____ NONREVERSE RATCHET MECHANISM



Preliminary Drawing for Reference Only

CERTIFIED BY:		DATE:				BEARING	PROTECTION	
ADDITIONAL INFORMATION	OUTPUT	POLES	VOLTS	FREQ. Hz	SYN. SPEED r/min	LOAD SIDE 6226C3	APPROX. WEIGHT MOTOR	
	TYPE TIK	FORM VCKTWII	INS.CLASS F	RATING S1	FRAME N3511V	FLANGE 29330 6028	4100 kg	
	REV.MARK	REVISIONS		APPROVED BY T.F.CHENG FEB.10.2011	CHECKED BY T.F.CHENG FEB.10.2011	TITLE OUTLINE FOR THREE PHASE INDUCTION MOTOR		
	DATE			DESIGNED BY C.Y.WEN FEB.10.2011	DRAWN BY C.Y.WEN FEB.10.2011			
	APPROVED BY			UNITS MM			DRAWING NO. AL-VB-1775	REV.MARK 00
	REVISED BY			CONTENT				