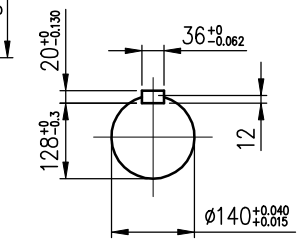
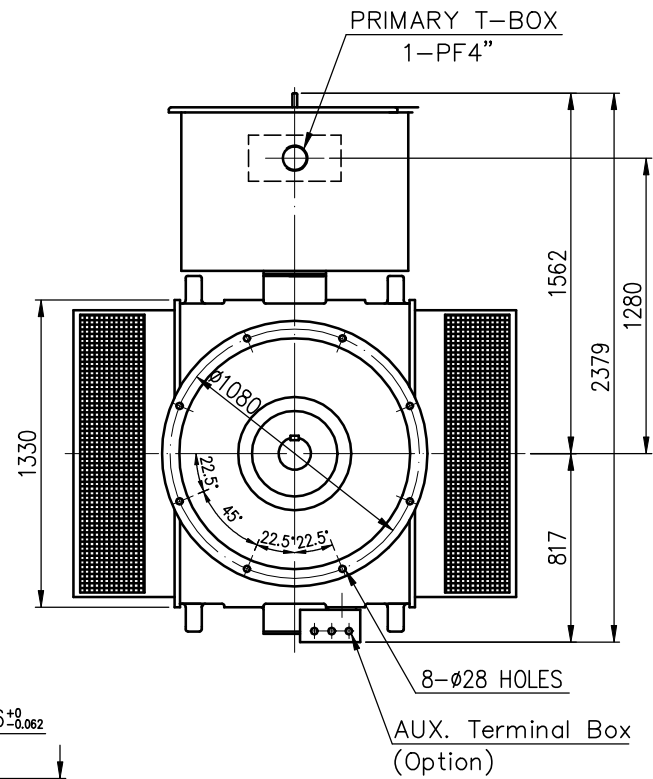
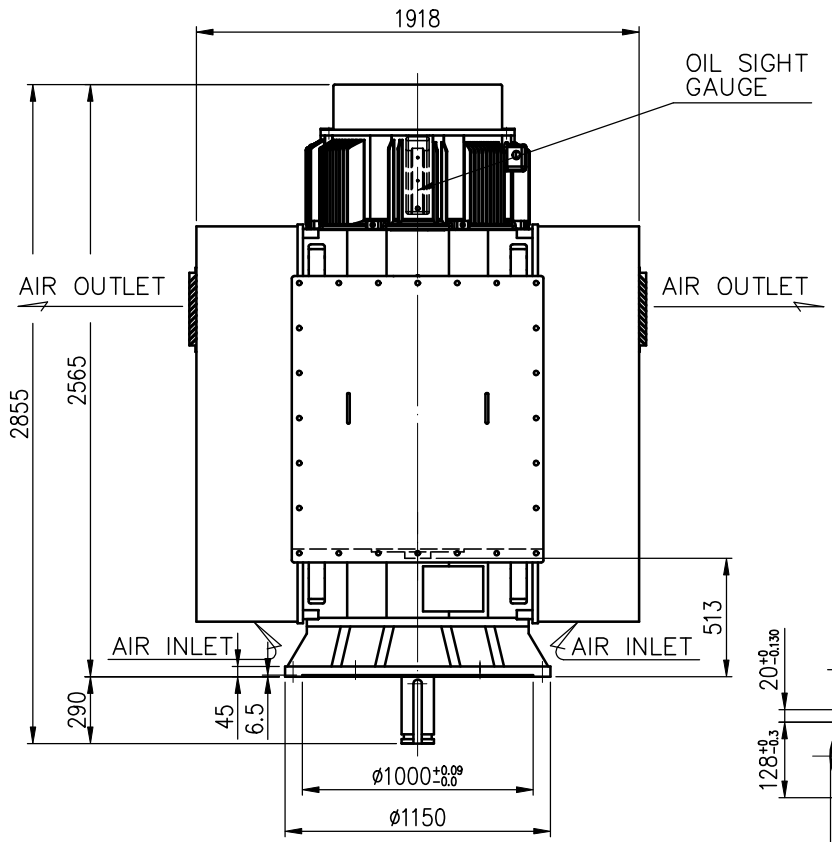


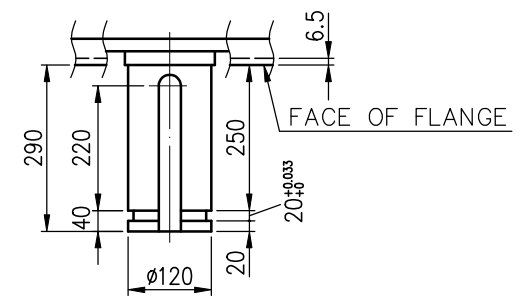
TECHNICAL INFORMATION

- ENCLOSURE: WP11
- BEARING LUBRICATION:
DRIVE END: OIL
NON DRIVE END : OIL
- THRUST LOAD CAPACITY.
_____ KG CONTINUOUS DOWN
_____ KG MOMENTARY DOWN
_____ KG INSTANTANEOUS UP
- ROTATION: _____
VIEW FROM NON-DRIVE END
- _____ NONREVERSE RATCHET MECHANISM



SHAFT END DIMENSIONS

VIEW FROM DRIVE END



Preliminary Drawing for Reference Only

ADDITIONAL INFORMATION	CERTIFIED BY: _____ DATE: _____					BEARING	PROTECTION
	OUTPUT	POLES	VOLTS	FREQ.	SYN. SPEED	LOAD SIDE	APPROX. WEIGHT
				Hz	r/min	6040	MOTOR
	TYPE	FORM	INS.CLASS	RATING	FRAME	FLANGE	8950 kg
	TIK	VCKTWII	F	S1	N4514V	OPP.L.SIDE	
						29340	
						6038	
		REV.MARK		APPROVED BY	CHECKED BY	TITLE OUTLINE FOR THREE PHASE INDUCTION MOTOR	
		DATE		T.F.CHENG	T.F.CHENG		
		APPROVED BY		FEB.11.2011	FEB.11.2011		
		REVISED BY		DESIGNED BY	DRAWN BY		
			UNITS	C.Y.WEN	C.Y.WEN		
			MM	FEB.11.2011	FEB.11.2011		
		CONTENT				DRAWING NO.	REV.MARK
						AL-VB-1782	(00)