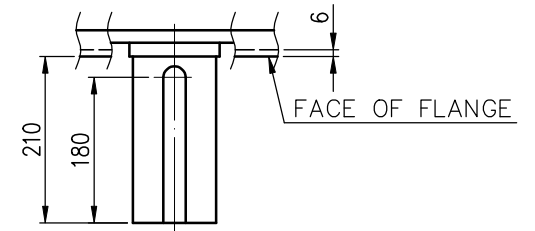
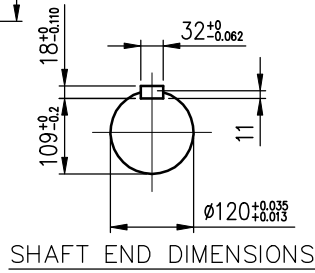
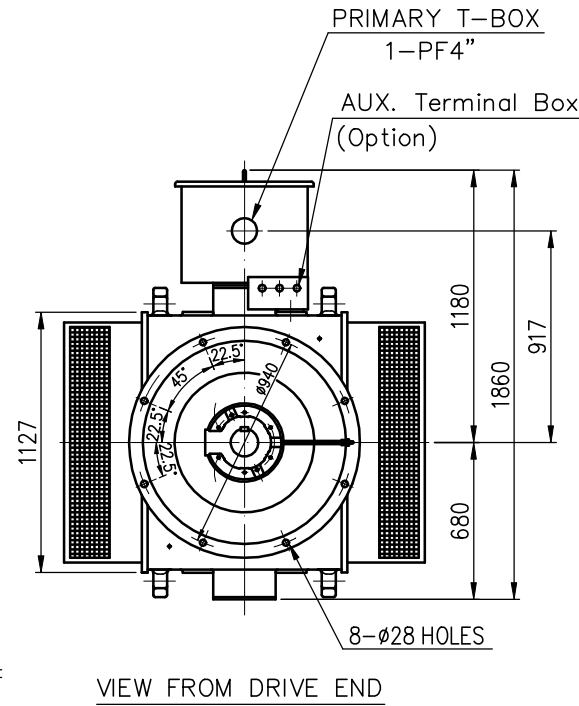
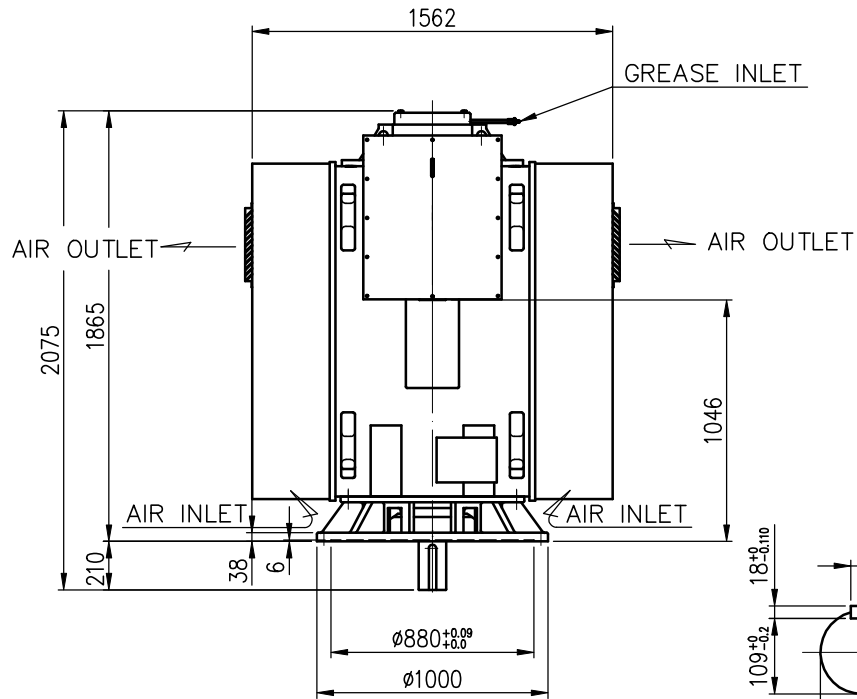


TECHNICAL INFORMATION

1. ENCLOSURE: WPII
2. BEARING LUBRICATION:  
DRIVE END: GREASE  
NON DRIVE END : GREASE
3. ROTATION: \_\_\_\_\_  
VIEW FROM NON-DRIVE END
4. WITHOUT NONREVERSE RATCHET MECHANISM
5. EXTRA DOWN THRUST LOAD SHALL NOT BE ALLOWED



PRELIMINARY ONLY

ADDITIONAL INFORMATION	CERTIFIED BY: _____ DATE: _____					BEARING	PROTECTION
	OUTPUT	POLES	VOLTS	FREQ. Hz	SYN. SPEED r/min	LOAD SIDE 6226C3	IP-23
	TYPE TIK	FORM VCKTWII	INS.CLASS F	RATING S1	FRAME N3511V	OPP.L.SIDE 7324B	APPROX. WEIGHT MOTOR 3900 kg
	REV.MARK	DATE	APPROVED BY	DESIGNED BY	CHECKED BY	TITLE	
		REVISED BY	C.Y.WEN FEB.14.2011	C.Y.WEN FEB.14.2011	T.F.CHENG FEB.14.2011	<b>OUTLINE FOR THREE PHASE INDUCTION MOTOR</b>	
		CONTENT	UNITS mm	SCALE	APPROVED BY	DRAWING NO.	REV.MARK
					T.F.CHENG FEB.14.2011	AL-VB-1799	00
					DESIGNED BY	DRAWING NO.	
					C.Y.WEN FEB.14.2011	AL-VB-1799	
					CHECKED BY	REV.MARK	
					T.F.CHENG FEB.14.2011	00	