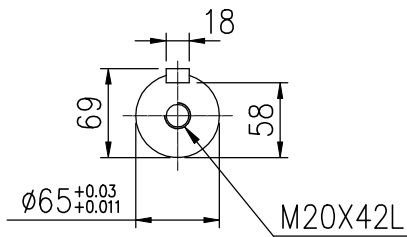
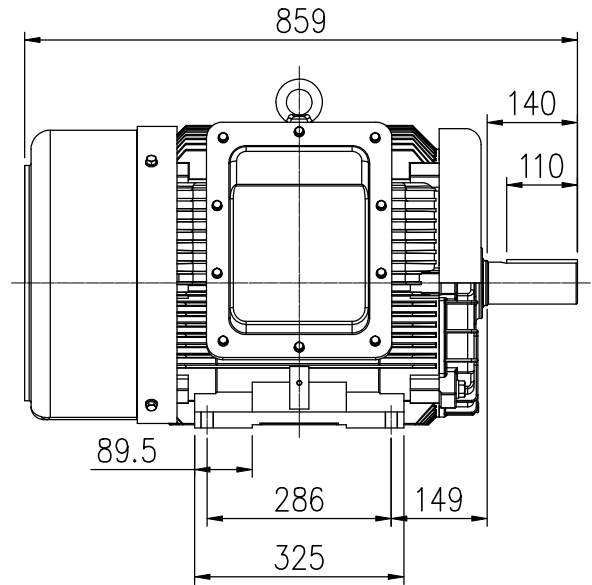
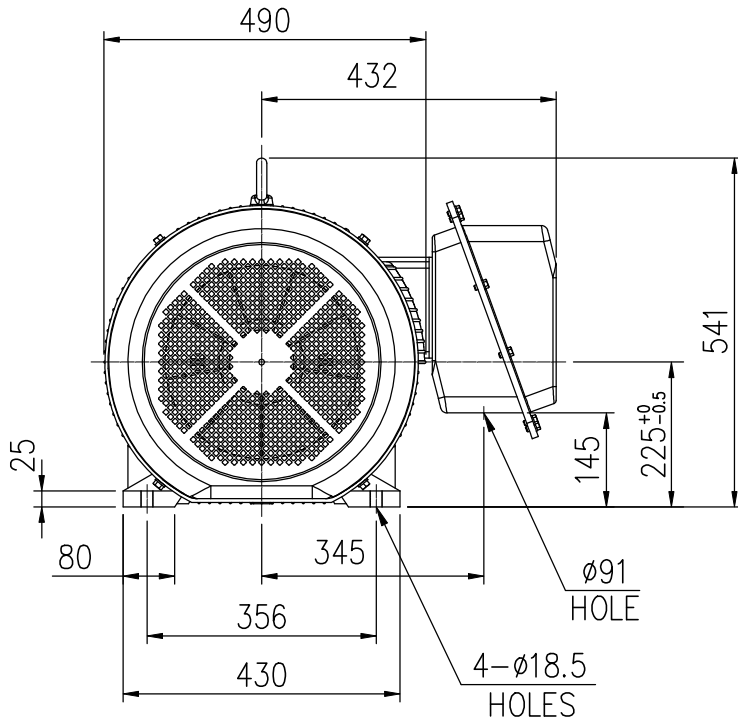


OUTLINE
3-PHASE
INDUCTION MOTOR

TOTALLY ENCLOSED FAN
COOLED, SQUIRREL CAGE
ROTOR
PREMIUM EFFICIENCY
IE3 SERIES

FILE NO:
CUSTOMER:
PO. NO:
ORDER NO:

OUTPUT	POLE	SYN. SPEED	VOLT.	FREQ	TIME RATING	MODEL	FRAME NO.
					S1	FHFC	225S



NOTE: 1. F CLASS INSULATION.
2. FOR DIRECT COUPLING.

BEARING NO.		APPROX
D.E	O.D.E	WEIGHT
6314ZZC3	6312ZZC3	380 kg

初步圖面，僅供參考



CERTIFIED BY: _____	DATE: _____
DESIGNED Stone CHANG	DWG. NO: AS-030138
CHECKED Eagle HUNG	3RD ANGLE PROJECTION
APPROVED Eagle HUNG	DIMENSION IN mm

00