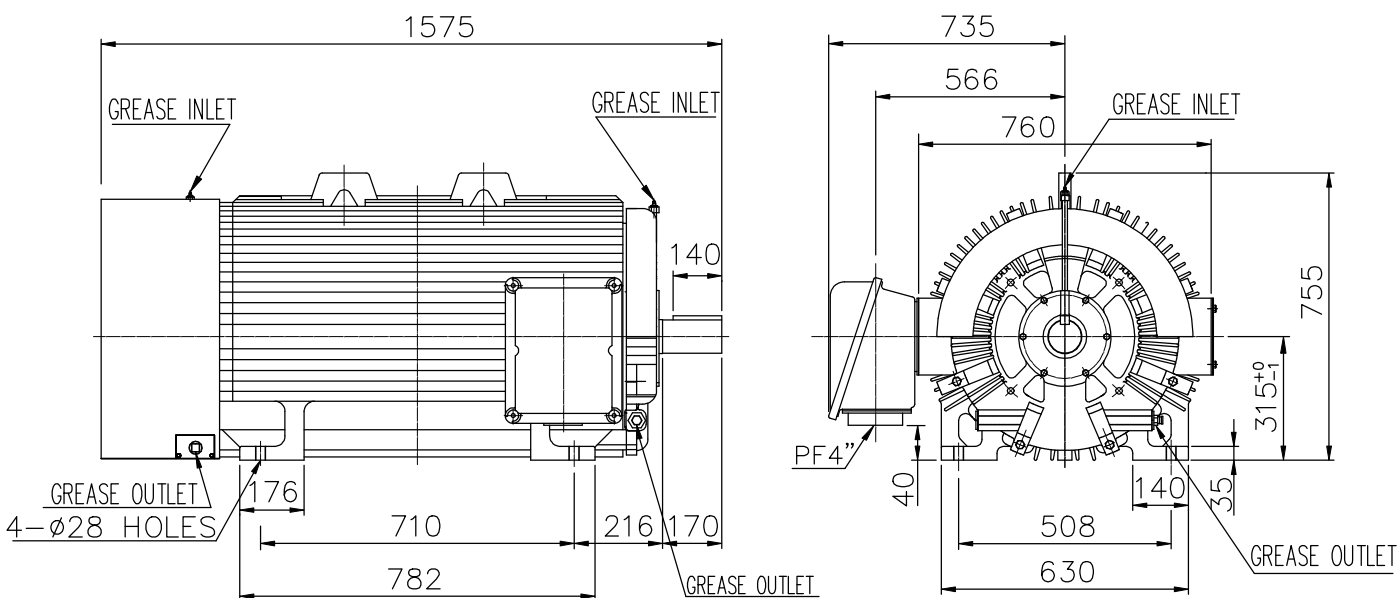


# OUTLINE 3-PHASE INDUCTION MOTOR

TOTALLY ENCLOSED FAN  
COOLED, SQUIRREL CAGE  
ROTOR  
*PREMIUM EFFICIENCY  
IE3 SERIES*

FILE NO:  
CUSTOMER:  
PO. NO:  
ORDER NO:

OUTPUT	POLE	SYN. SPEED	VOLT.	FREQ	TIME RATING	MODEL	FRAME NO.
					<b>S1</b>	FHFC	315LL



NOTE: 1. F CLASS INSULATION.  
2. FOR DIRECT COUPLING.

BEARING NO.		APPROX WEIGHT
D.E	O.D.E	
6320	6318	1950 kg

Preliminary Drawing for Reference Only

CERTIFIED BY: _____		DATE: _____	
DESIGNED	C.Y. Chang	DWG. NO: AS-032525	REV.
CHECKED	Eagle HUNG	3RD ANGLE PROJECTION	
APPROVED	Eagle HUNG	DIMENSION IN mm	



(00)