

OUTLINE 3-PHASE INDUCTION MOTOR

TOTALLY ENCLOSED FAN
COOLED, SQUIRREL CAGE
ROTOR. (IE3 SERIES)

(INDOOR)

FILE NO:

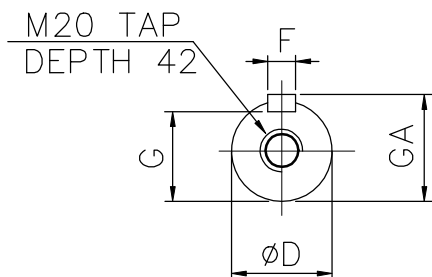
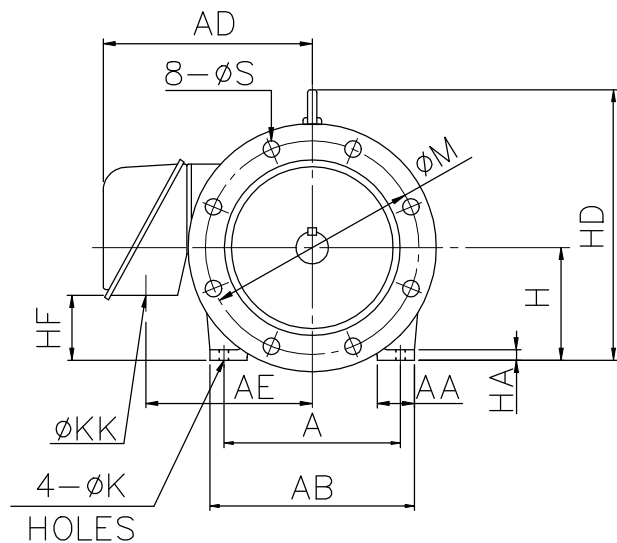
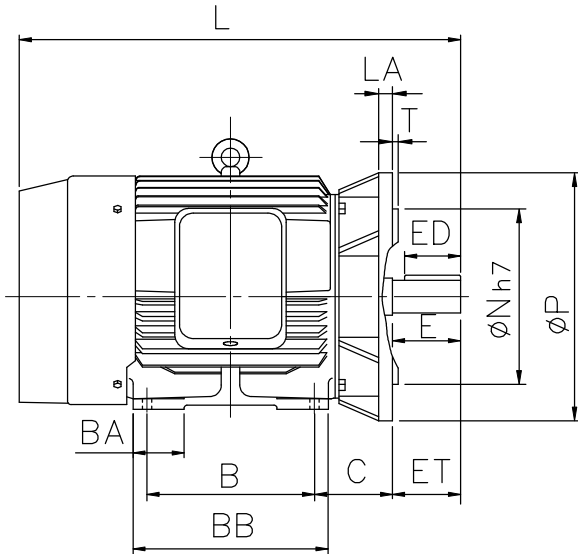
CUSTOMER:

PO. NO:

ORDER NO:

OUTPUT	POLE	SYN. SPEED	VOLT.	FREQ	TIME RATING	MODEL	FRAME NO.
	2				S1	FHFC-HD	200L

** IE3 EFFICIENCY



M	N	P	LA	T	ET	S
400	350	450	19	5	110	18.5

A	B	C	H	K	L	AA	AB	AC	AD	AE	BA	BB	HA
318	305	133	200	18.5	772.5	80	378	- - -	365	305	80	360	20

HD	HF	KK	SHAFT END						BEARING NO.		APPROX WEIGHT	
			D	E	ED	F	G	GA	D.E	O.D.E		
486	135	63	55	110	90	16	49	59		6312C3	6212C3	350kg

NOTE: 1. TOLERANCE OF SHAFT END DIAMETER D: m6
 2. TOLERANCE OF SHAFT CENTER HEIGHT H: $\begin{matrix} +0 \\ -0.5 \end{matrix}$
 3. F CLASS INSULATION.



DESIGNED	T.S.CHANG DEC.13,2017	DWG. NO: AS-063876
CHECKED	L.J.LEE DEC.13,2017	DIMENSIONS IN MM
APPROVED	L.J.LEE DEC.13,2017	3RD ANGLE PROJECTION