

# OUTLINE

## 3-PHASE INDUCTION MOTOR

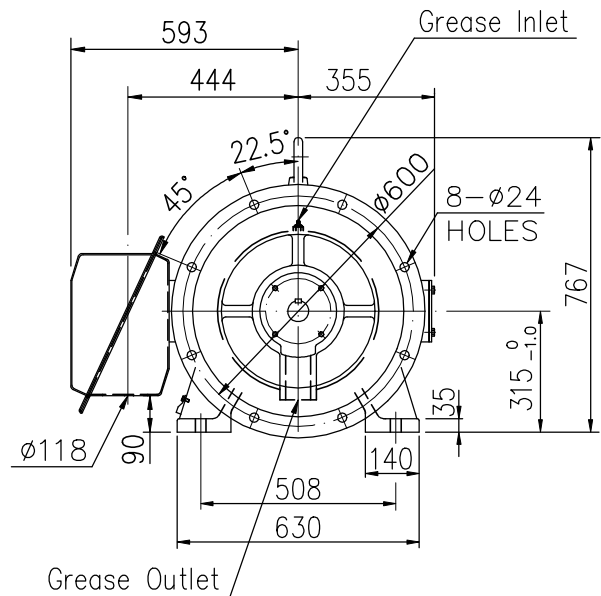
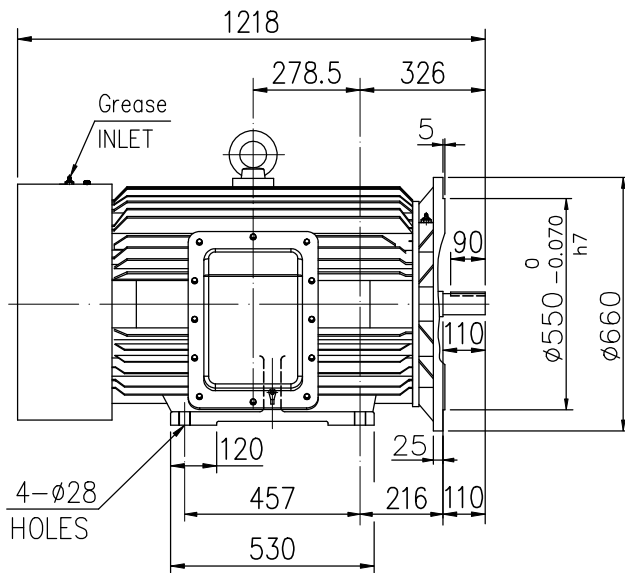
TOTALLY ENCLOSED  
FAN COOLED  
SQUIRREL CAGE ROTOR  
(INDOOR)

FILE NO:

CUSTOMER:  
PO. NO:  
ORDER NO:

OUTPUT	POLE	SYN. SPEED	VOLT.	FREQ	INSUL.	TIME RATING	MODEL	FRAME NO.
	2				F	S1	FHFC-HD	315M

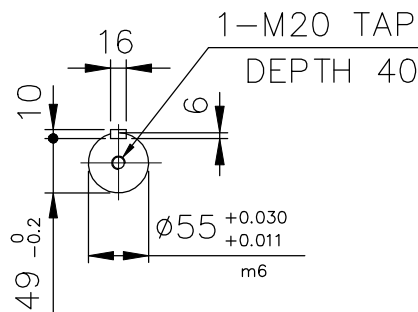
- \* IE3 Efficiency
- \* Direct Coupled



TOLERANCE

KEY WIDTH h9  $\begin{matrix} 0 \\ -0.043 \end{matrix}$

KEY WAY N9  $\begin{matrix} 0 \\ -0.043 \end{matrix}$



**Preliminary Drawing  
For Reference Only**

HISTORY

△		

Note:

- 1) Approximate weight = 1170 kg
- 2) Drive end bearing: 6314C3  
Opposite drive end bearing: 6313C3



			REV.
DESIGNED	F.M.SUE DEC, 15, 2017	DWG NO: AS-063901	(00)
CHECKED	L.J. LEE DEC, 15, 2017	3RD ANGLE PROJECTION	
APPROVED	L.J. LEE DEC, 15, 2017	DIMENSIONS IN mm	