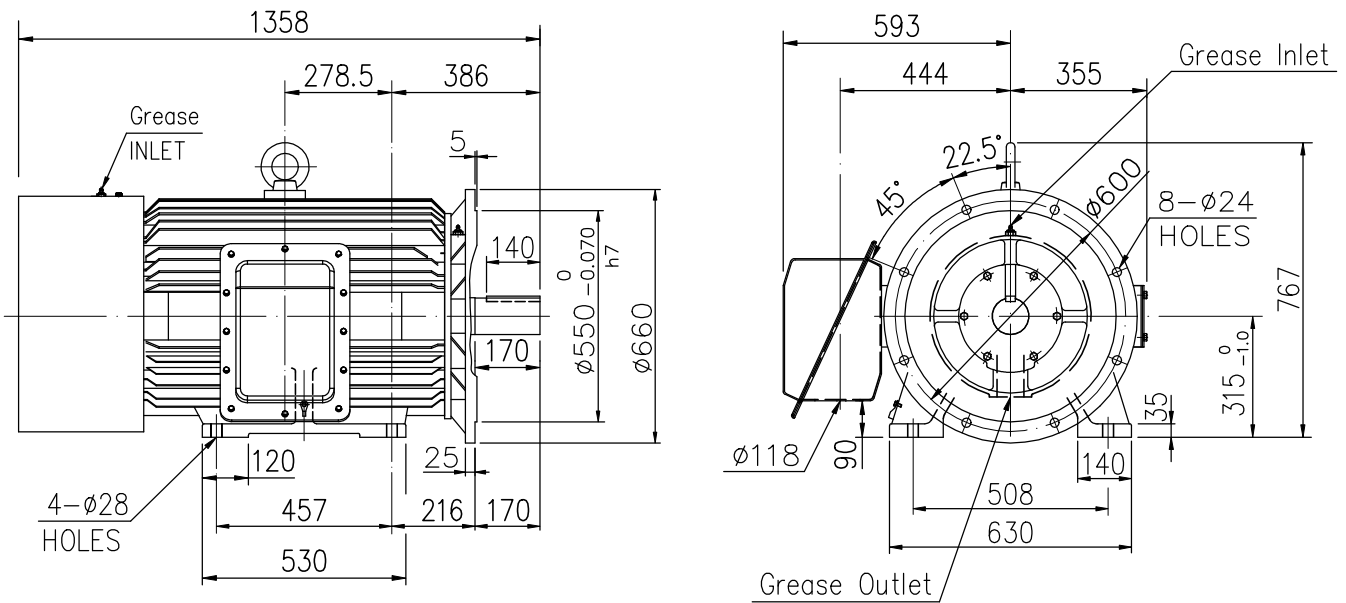


OUTLINE 3-PHASE INDUCTION MOTOR	TOTALLY ENCLOSED FAN COOLED SQUIRREL CAGE ROTOR (INDOOR)	FILE NO:
		CUSTOMER: PO. NO: ORDER NO:

OUTPUT	POLE	SYN. SPEED	VOLT.	FREQ	INSUL.	TIME RATING	MODEL	FRAME NO.
					F	S1	FHFC-HD	315M

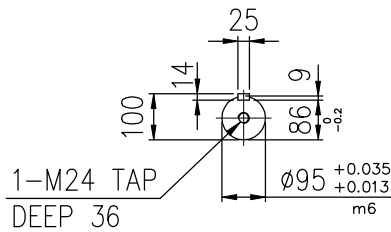
- * IE3 Efficiency
- * Direct Coupled



TOLERANCE

KEY WIDTH h9 $0_{-0.052}$

KEY WAY N9 $0_{-0.052}$



Preliminary Drawing
For Reference Only

Note:

- 1) Approximate weight = 1170 kg
- 2) Drive end bearing: 6320
Opposite drive end bearing: 6318

HISTORY	
△	



		REV.
DESIGNED	F.M.SUE DEC, 15, 2017	DWG NO: AS-063902 (00)
CHECKED	L.J. LEE DEC, 15, 2017	3RD ANGLE PROJECTION
APPROVED	L.J. LEE DEC, 15, 2017	DIMENSIONS IN mm