

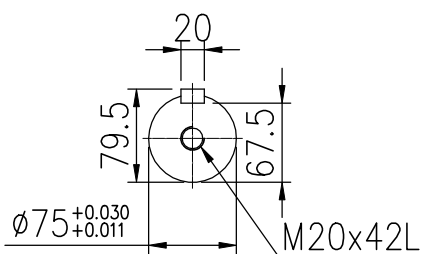
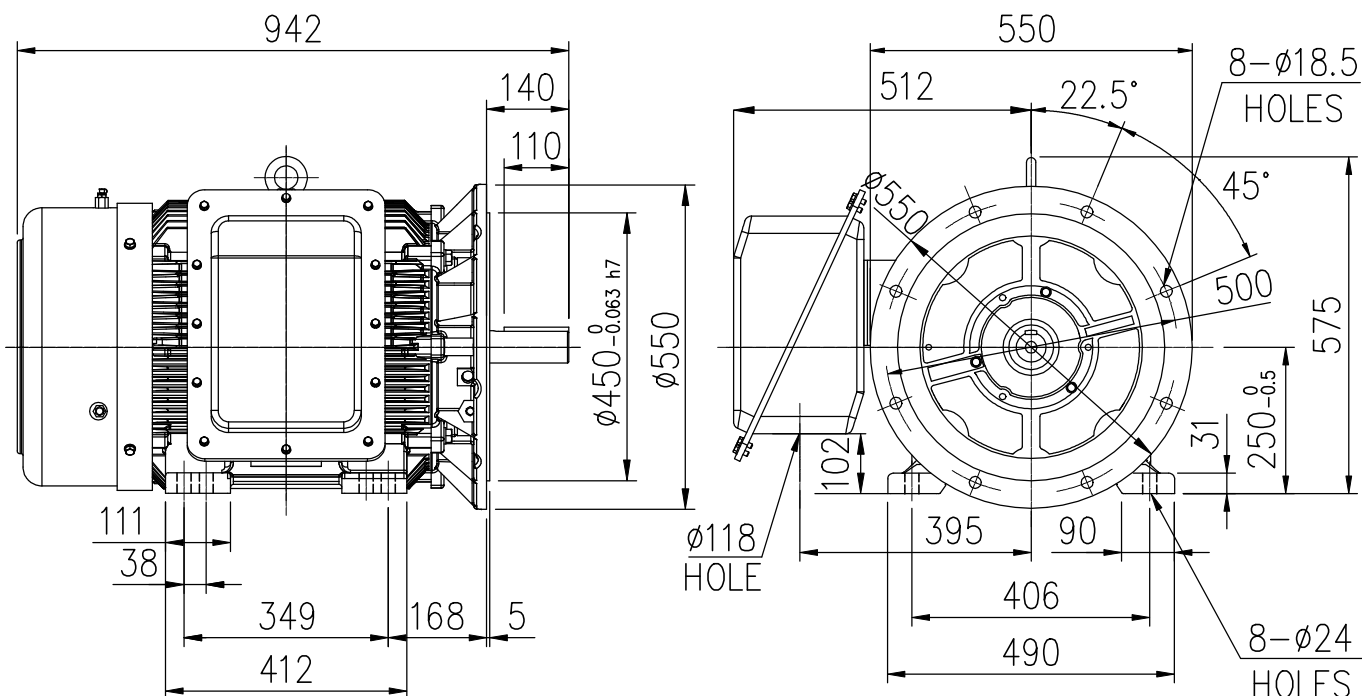
OUTLINE
3-PHASE
INDUCTION MOTOR

TOTALLY ENCLOSED FAN
COOLED, SQUIRREL CAGE
ROTOR (INDOOR)
HIGH EFFICIENCY
TS21F SERIES

FILE NO:
CUSTOMER:
PO. NO:
ORDER NO:

| OUTPUT | POLE | SYN. SPEED | VOLT. | FREQ | INSUL. | TIME RATING | MODEL | FRAME NO. |
|--------|------|------------|-------|------|--------|-------------|---------|-----------|
| | | | | | F | S1 | FHFC-HD | 250M |

- * IE3 EFFICIENCY
- * FOR DIRECT COUPLING



| BEARING NO. | | APPROX WEIGHT |
|-------------|---------|---------------|
| D.E | O.D.E | |
| 6316ZC3 | 6316ZC3 | 562 kg |



| | | | |
|----------|-----------------------|----------------------|------|
| DESIGNED | CC LIU DEC.30,2017 | DWG. NO: AS-064111 | REV. |
| CHECKED | LJ LEE DEC.30,2017 | 3RD ANGLE PROJECTION | 00 |
| APPROVED | LJ LEE DEC.30,2017 | DIMENSION IN mm | |