

OUTLINE

3-PHASE INDUCTION MOTOR

TOTALLY ENCLOSED
FAN COOLED
SQUIRREL CAGE ROTOR

FILE NO:

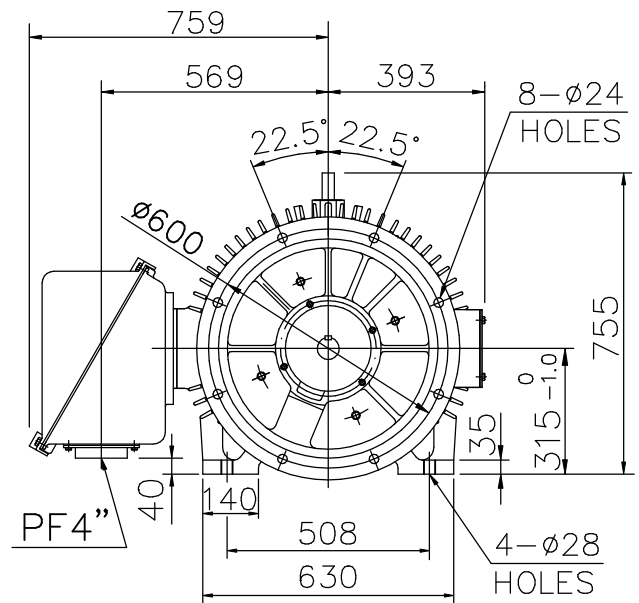
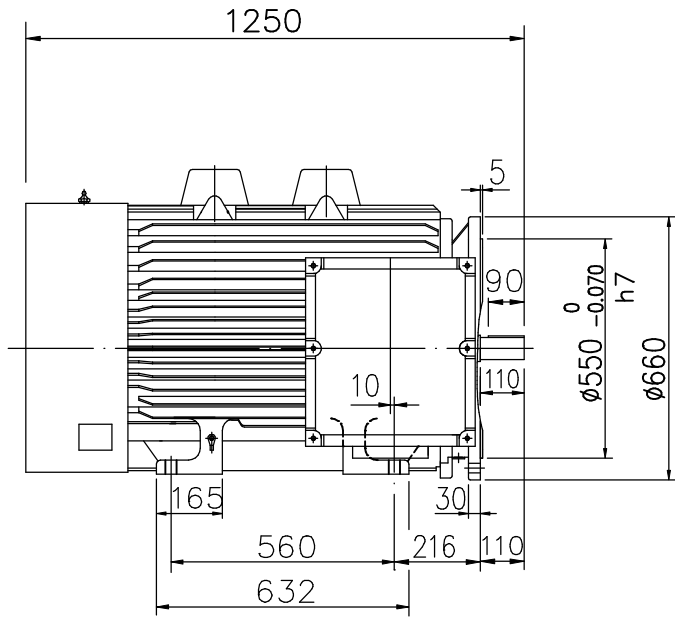
CUSTOMER:

PO. NO:

ORDER NO:

OUTPUT	POLE	SYN. SPEED	VOLT.	FREQ	INSUL.	TIME RATING	MODEL	FRAME NO.
	2				F	S1	FHFC-HD	315LS

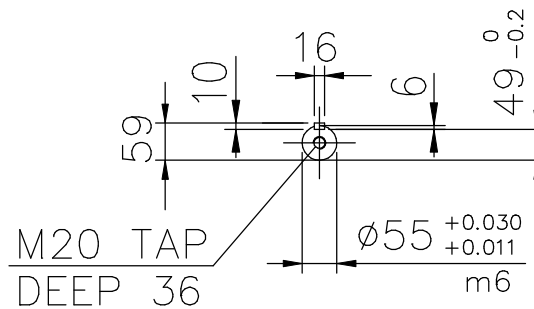
- * IE3 Efficiency
- * Direct Coupled



TOLERANCE

KEY WIDTH h9 $\begin{matrix} 0 \\ -0.043 \end{matrix}$

KEY WAY N9 $\begin{matrix} 0 \\ -0.043 \end{matrix}$



Note:

- 1) Approximate weight = 1670 kg
- 2) Drive end bearing: 6314C3
Opposite drive end bearing: 6313C3

HISTORY	
Δ	



		DESIGNED	F.M.SUE JAN,10,2018	DWG NO:AS-073818	REV. (00)
		CHECKED	L.J. LEE JAN,10,2018	3RD ANGLE PROJECTION	
		APPROVED	L.J. LEE JAN,10,2018	DIMENSIONS IN mm	