

OUTLINE

3-PHASE INDUCTION MOTOR

TOTALLY ENCLOSED
FAN COOLED
SQUIRREL CAGE ROTOR

FILE NO:

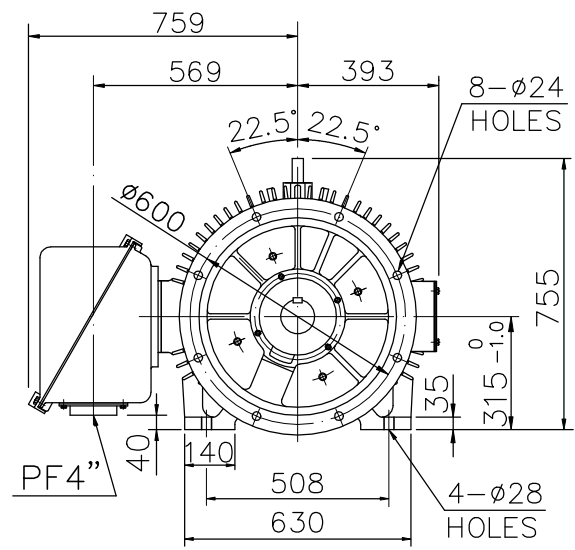
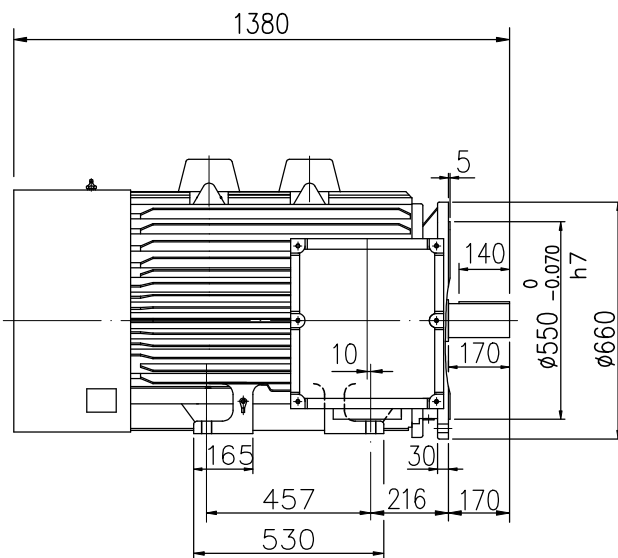
CUSTOMER:

PO. NO:

ORDER NO:

OUTPUT	POLE	SYN. SPEED	VOLT.	FREQ	INSUL.	TIME RATING	MODEL	FRAME NO.
	6				F	S1	FHFC-HD	315M(F)

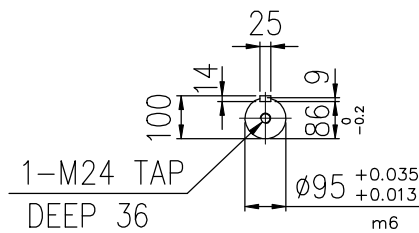
- * IE3 Efficiency
- * Direct Coupled



TOLERANCE

KEY WIDTH h9 $\begin{matrix} 0 \\ -0.052 \end{matrix}$

KEY WAY N9 $\begin{matrix} 0 \\ -0.052 \end{matrix}$



Note:

- 1) Approximate weight = 1670 kg
- 2) Drive end bearing: 6320
Opposite drive end bearing: 6318

HISTORY	
△	



			REV.
DESIGNED	F.M.SUE JAN,10,2018	DWG NO:AS-073890	00
CHECKED	L.J. LEE JAN,10,2018	3RD ANGLE PROJECTION	
APPROVED	L.J. LEE JAN,10,2018	DIMENSIONS IN mm	