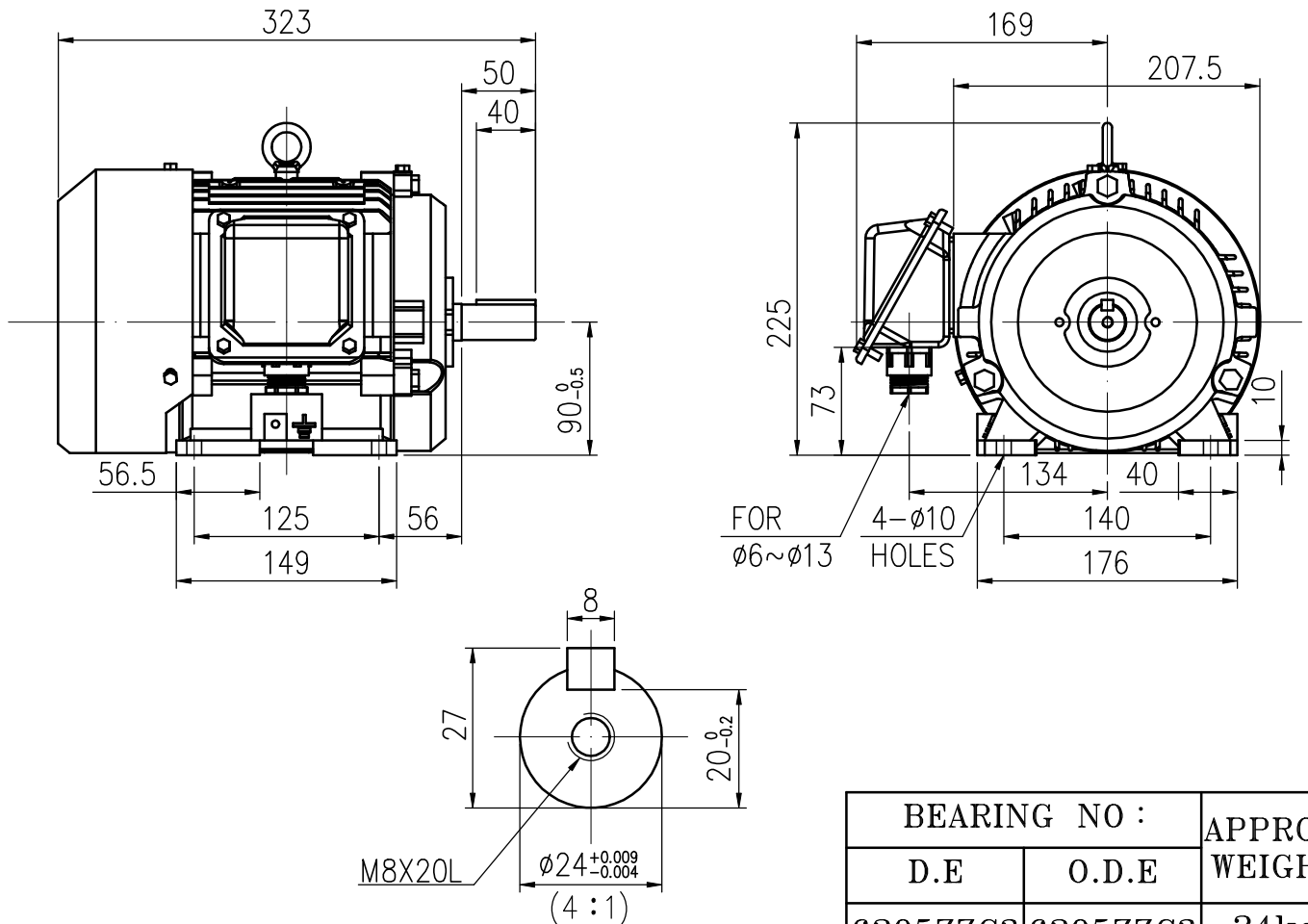


OUTLINE 3-PHASE INDUCTION MOTOR

TOTALLY ENCLOSED FAN
COOLED, SQUIRREL CAGE
ROTOR
PREMIUM EFFICIENCY
IE3 SERIES

FILE NO:
CUSTOMER:
PO. NO:
ORDER NO:

| OUTPUT | POLE | SYN. SPEED | VOLT. | FREQ. | TIME RATING | MODEL | FRAME NO. |
|--------|------|---------------|-------|-------|----------------|-------|-----------|
| | | | | | S1 | FHFC | 90L |



NOTE: 1. F CLASS INSULATION.
2. IP55.

| BEARING NO : | | APPROX. WEIGHT |
|--------------|----------|-------------------|
| D.E | O.D.E | |
| 6205ZZC3 | 6205ZZC3 | 24kg |

Preliminary Drawing for Reference Only



| | | | |
|----------------------|---------|----------------------|------|
| CERTIFIED BY : _____ | | DATE : _____ | |
| DESIGNED | J.Y. SU | DWG. NO : AS-104751 | REV. |
| CHECKED | C.P. SU | 3RD ANGLE PROJECTION | 00 |
| APPROVED | C.P. SU | DIMENSIONS IN mm | |