

OUTLINE 3-PHASE INDUCTION MOTOR

TOTALLY ENCLOSED FAN
COOLED, SQUIRREL CAGE
ROTOR

FILE NO:

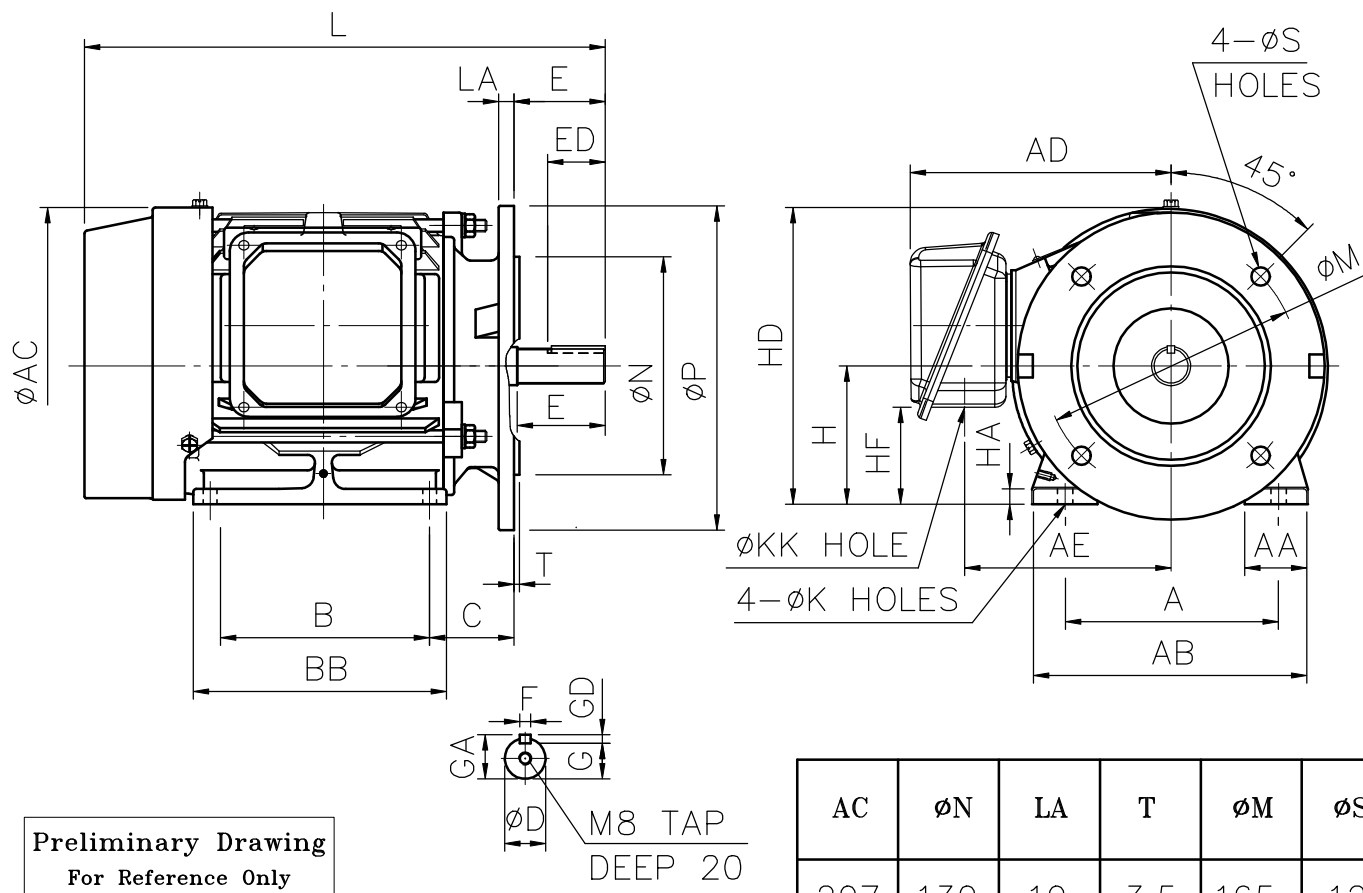
CUSTOMER:

PO. NO:

ORDER NO:

OUTPUT	POLE	SYN. SPEED R.P.M	VOLT. V	FREQ Hz	INSUL. F	TIME RATING S1	MODEL FHFC-HD	FRAME NO. 90L
	2P							

** IE3 EFFICIENCY
** FOR DIRECT COUPLING



Preliminary Drawing
For Reference Only

AC	ØN	LA	T	ØM	ØS
207	130	10	3.5	165	12

A	B	C	H	ØK	L	AA	AB	ØP	AD	AE	AF	BB	HA
140	125	56	90	10	327	40	176	200	164	128	--	149	10

HD	HF	ØKK	SHAFT END							BEARING NO.		APPROX WEIGHT
			ØD	E	ED	F	G	GD	GA	D.E	O.D.E	
194	79	22	24	50	40	8	20	7	27	6205zz	6205zz	28 kg

NOTE: 1.TOLERANCE OF SHAFT END DIAMETER ØD : j6(+0.09,-0.004).
2.TOLERANCE OF SHAFT CENTER HEIGHT H : +0,-0.5

CERTIFIED BY :		DATE :	
DESIGNED	S.L.TSAI JAN.03,2019	DWG. NO: AS-064020	
CHECKED	L.J.LEE JAN.03,2019	3RD ANGLE PROJECTION	
APPROVED	L.J.LEE JAN.03,2019	DIMENSIONS IN mm	

