

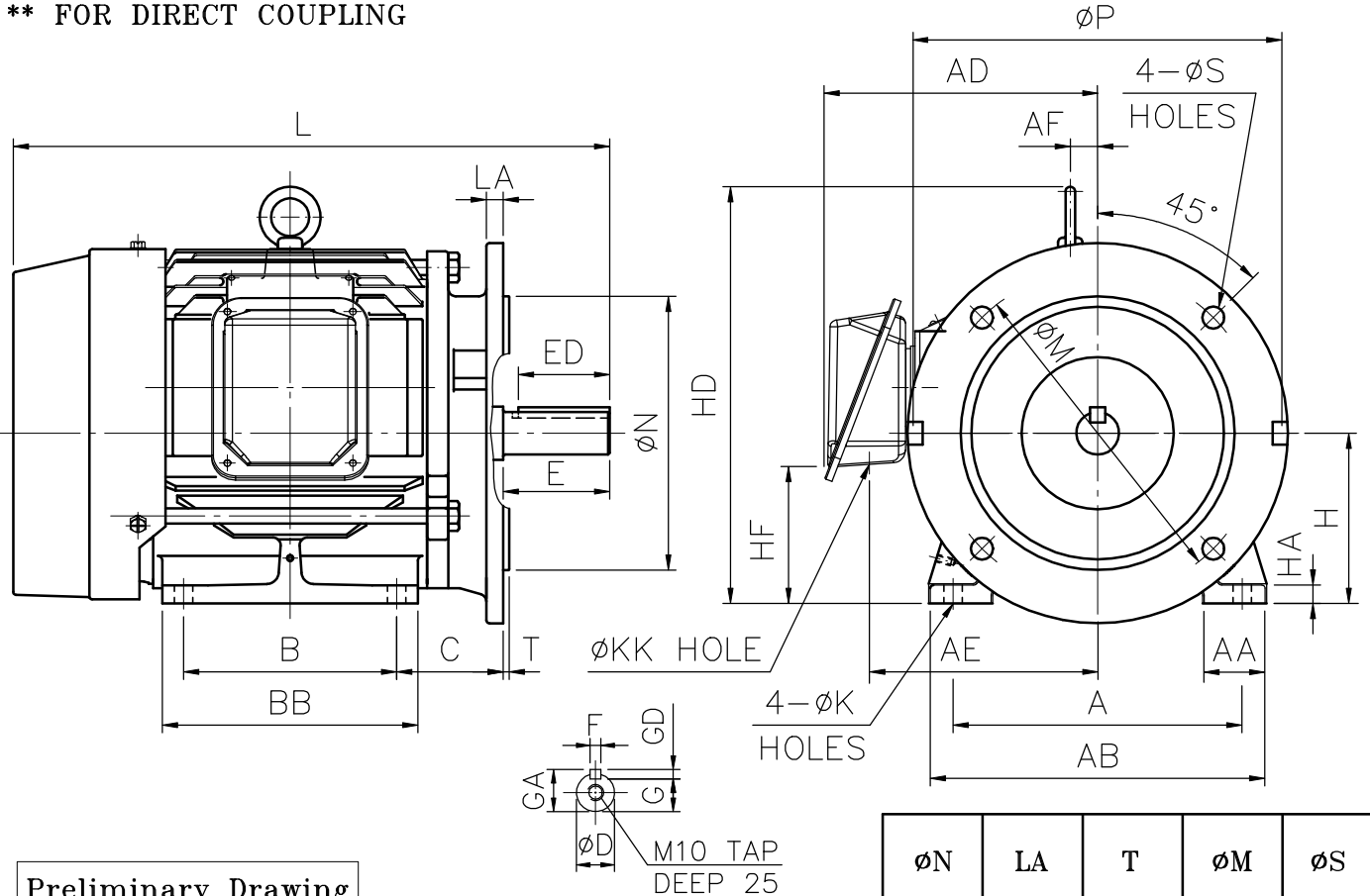
OUTLINE 3-PHASE INDUCTION MOTOR

TOTALLY ENCLOSED FAN
COOLED, SQUIRREL CAGE
ROTOR (WMP-90)

FILE NO:
CUSTOMER:
PO. NO:
ORDER NO:

OUTPUT	POLE	SYN. SPEED R.P.M	VOLT. V	FREQ Hz	INSUL. F	TIME RATING S1	MODEL FHFC-HD	FRAME NO. 112M
	2P							

** IE3 EFFICIENCY
** FOR DIRECT COUPLING



Preliminary Drawing
For Reference Only

A	B	C	H	ϕK	L	AA	AB	ϕP	AD	AE	AF	BB	HA
190	140	70	112	12	382	40	220	250	180	150	18	168	12

HD	HF	ϕKK	SHAFT END							BEARING NO.		APPROX WEIGHT
			ϕD	E	ED	F	G	GD	GA	D.E	O.D.E	
274	90	28	28	60	50	8	24	7	31	6207zz	6206zz	46 kg

NOTE: 1. TOLERANCE OF SHAFT END DIAMETER D: j6 (+0.009, -0.004)
 2. TOLERANCE OF SHAFT CENTER HEIGHT H: +0, -0.5

CERTIFIED BY : _____ DATE : _____

DESIGNED	S.L.TSAI JAN.03,2019	DWG. NO: AS-064022
CHECKED	L.J.LEE JAN.03,2019	3RD ANGLE PROJECTION
APPROVED	L.J.LEE JAN.03,2019	DIMENSIONS IN mm

