

OUTLINE 3-PHASE INDUCTION MOTOR

TOTALLY ENCLOSED FAN
COOLED, SQUIRREL CAGE
ROTOR (90 SERIES)

FILE NO:

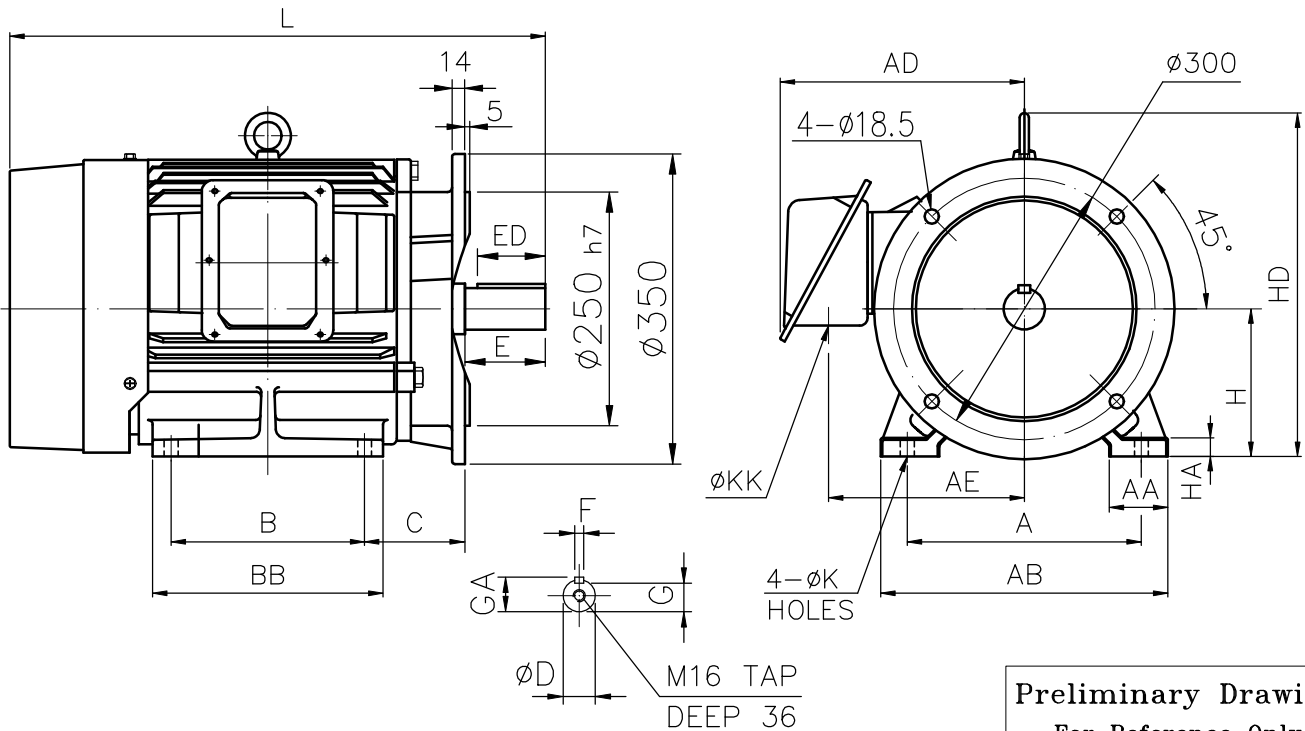
CUSTOMER:

PO. NO:

ORDER NO:

OUTPUT	POLE	SYN. SPEED	VOLT.	FREQ	TIME RATING	MODEL	FRAME NO.
	2P				S1	FHFC-HD	160M

** IE3 EFFICIENCY
** FOR DIRECT COUPLING



A	B	C	H	K	L	AA	AB	AD	AE	BB	HA		
254	210	108	160	14.5	603	60	308	275	224	250	18		

HD	HF	KK	SHAFT END						BEARING NO.		APPROX WEIGHT	
			D	E	ED	F	G	GA	D.E	O.D.E		
373	--	52	42	110	90	12	37	45		6310ZZ	6208ZZ	132kg

NOTE: 1. TOLERANCE OF SHAFT END DIAMETER D: k6
2. TOLERANCE OF SHAFT CENTER HEIGHT H: +0, -0.5
3. F CLASS INSULATION.

CERTIFIED BY : _____ DATE : _____

DESIGNED	S.L.TSAI JAN.03,2019	DWG. NO: AS-064025
CHECKED	L.J.LEE JAN.03,2019	3RD ANGLE PROJECTION
APPROVED	L.J.LEE JAN.03,2019	DIMENSIONS IN mm

