

OUTLINE 3-PHASE INDUCTION MOTOR

TOTALLY ENCLOSED FAN
COOLED, SQUIRREL CAGE
ROTOR(90 SERIES)

FILE NO:

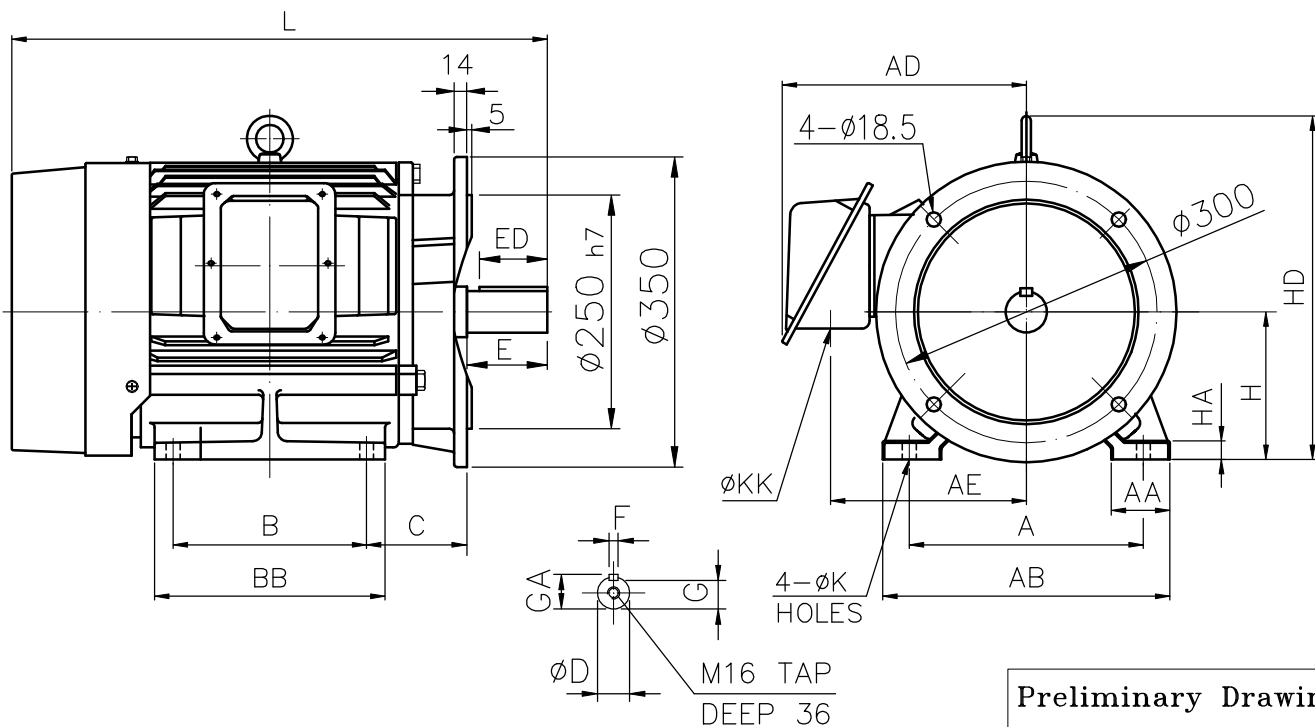
CUSTOMER:

PO. NO:

ORDER NO:

OUTPUT	POLE	SYN. SPEED	VOLT.	FREQ	TIME RATING	MODEL	FRAME NO.
	2P				S1	FHFC-HD	160L

** IE3 EFFICIENCY
** FOR DIRECT COUPLING



A	B	C	H	K	L	AA	AB	AD	AE	BB	HA		
254	254	108	160	14.5	647	60	308	275	224	294	18		

HD	HF	KK	SHAFT END						BEARING NO.		APPROX WEIGHT	
			D	E	ED	F	G	GA	D.E	O.D.E		
373	120	52	42	110	90	12	37	45		6310ZZ	6208ZZ	145 kg

NOTE: 1. TOLERANCE OF SHAFT END DIAMETER D: k6
 2. TOLERANCE OF SHAFT CENTER HEIGHT H: +0, -0.5
 3. F CLASS INSULATION.

CERTIFIED BY : _____ DATE : _____

DESIGNED S.L.TSAI
 JAN.03,2019 DWG. NO: AS-064026

CHECKED L.J.LEE
 JAN.03,2019 3RD ANGLE PROJECTION

APPROVED L.J.LEE
 JAN.03,2019 DIMENSIONS IN mm

