

# OUTLINE 3-PHASE INDUCTION MOTOR

TOTALLY ENCLOSED FAN  
COOLED, SQUIRREL CAGE  
ROTOR. ( 90 SERIES )

FILE NO:

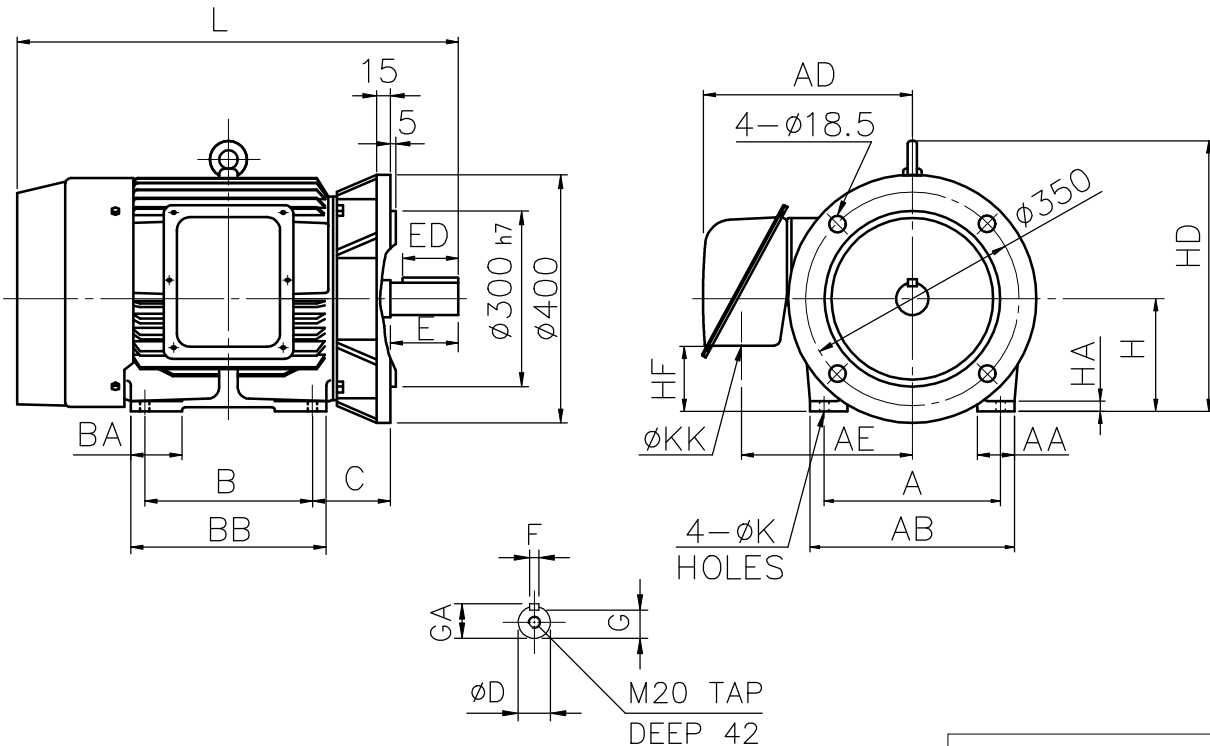
CUSTOMER:

PO. NO:

ORDER NO:

OUTPUT	POLE	SYN. SPEED	VOLT.	FREQ	TIME RATING	MODEL	FRAME NO.
	2				S1	FHFC-HD	180L

\*\* IE3 EFFICIENCY  
\*\* FOR DIRECT COUPLING



Preliminary Drawing  
For Reference Only

A	B	C	H	K	L	AA	AB	AC	AD	AE	BA	BB	HA
279	279	121	180	14.5	714.5	60	324	398	340	275	82.5	324	20

HD	HF	KK	SHAFT END						BEARING NO.		APPROX WEIGHT	
			D	E	ED	F	G	GA	D.E	O.D.E		
440	105	63	55	110	90	16	49	59		6312C3	6212zzC3	225kg

NOTE: 1. TOLERANCE OF SHAFT END DIAMETER D: m6  
 2. TOLERANCE OF SHAFT CENTER HEIGHT H: +0 , -0.5  
 3. F CLASS INSULATION.

CERTIFIED BY : _____		DATE : _____	
DESIGNED	S.L.TSAI JAN.03,2019	DWG. NO: AS-064028	
CHECKED	L.J.LEE JAN.03,2019	3RD ANGLE PROJECTION	
APPROVED	L.J.LEE JAN.03,2019	DIMENSIONS IN mm	

