

OUTLINE 3-PHASE INDUCTION MOTOR

TOTALLY ENCLOSED FAN
COOLED, SQUIRREL CAGE
ROTOR (B SERIES)

FILE NO:

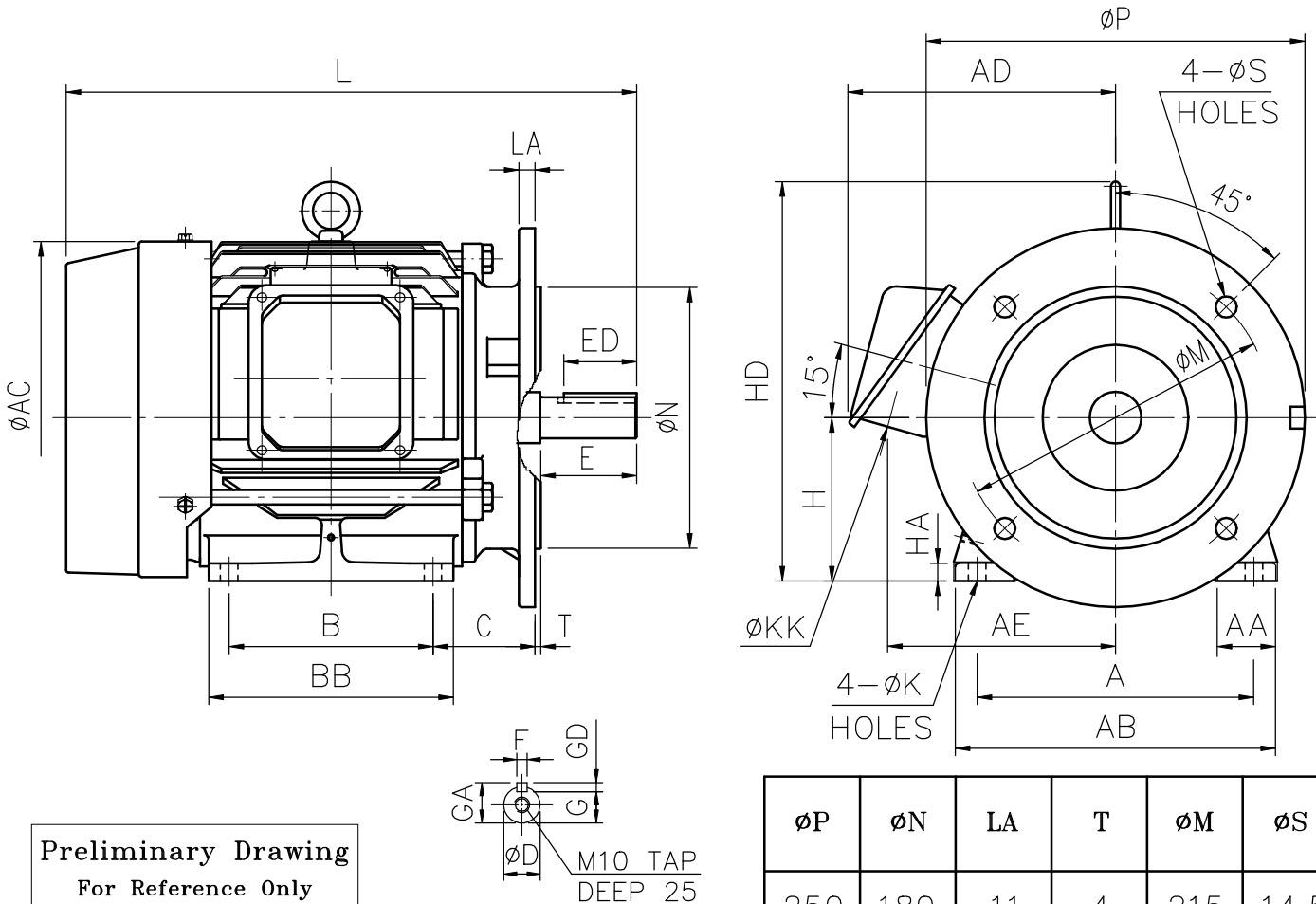
CUSTOMER:

PO. NO:

ORDER NO:

OUTPUT	POLE	SYN. SPEED R.P.M	VOLT. V	FREQ Hz	INSUL. F	TIME RATING S1	MODEL FHFC-HD	FRAME NO. 100L
--------	------	---------------------	------------	------------	-------------	-------------------	------------------	-------------------

** IE3 EFFICIENCY
** FOR DIRECT COUPLING



Preliminary Drawing
For Reference Only

ϕP	ϕN	LA	T	ϕM	ϕS
250	180	11	4	215	14.5

A	B	C	H	ϕK	L	AA	AB	AC	AD	AE	AF	BB	HA
160	140	63	100	12	378	40	200	223	183	156	--	176	12

HD	ϕKK	SHAFT END								BEARING NO.		APPROX WEIGHT
		ϕD	E	ED	F	G	GD	GA	D.E	O.D.E		
246	28	28	60	50	8	24	7	31	6206zz	6206zz	40kg	

NOTE: 1. TOLERANCE OF SHAFT END DIAMETER D: j6 (+0.009, -0.004)
2. TOLERANCE OF SHAFT CENTER HEIGHT H: +0, -0.5

CERTIFIED BY : _____ DATE : _____



DESIGNED	S.L.TSAI JAN.03,2019	DWG. NO: AS-073769
CHECKED	L.J.LEE JAN.03,2019	3RD ANGLE PROJECTION
APPROVED	L.J.LEE JAN.03,2019	DIMENSIONS IN mm