

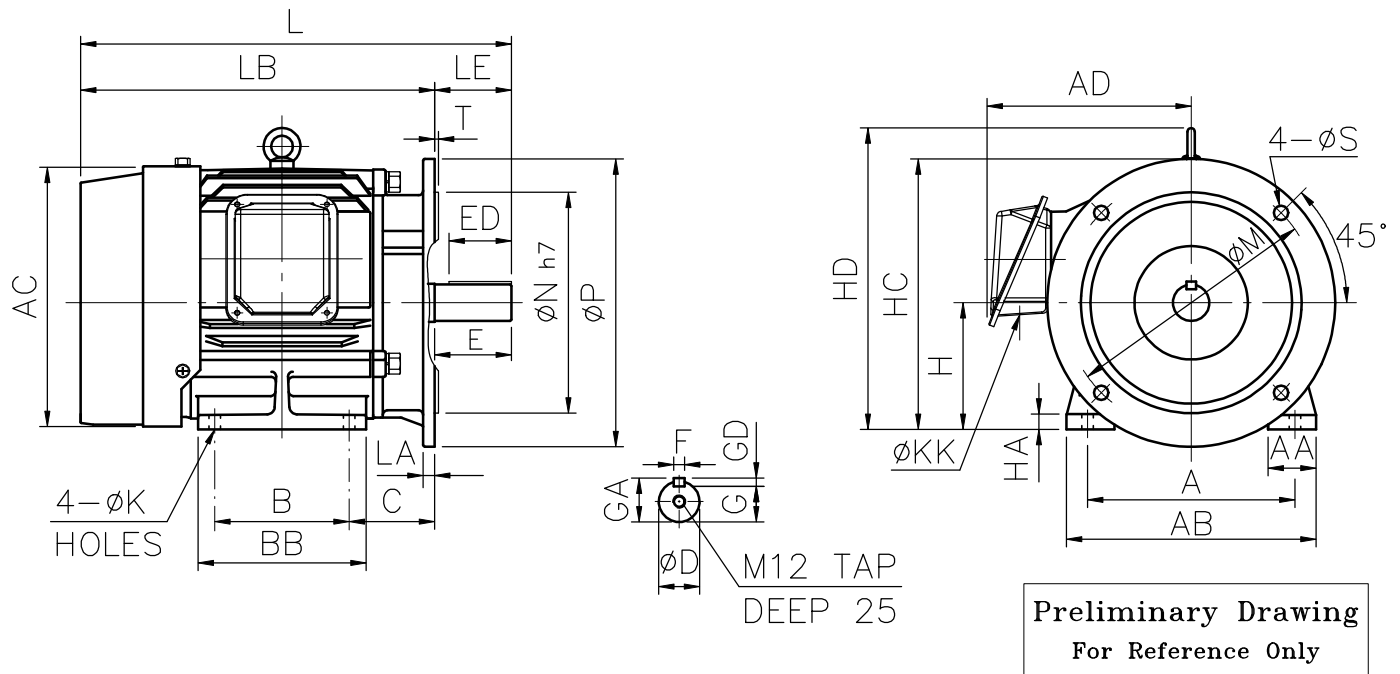
OUTLINE 3-PHASE INDUCTION MOTOR

TOTALLY ENCLOSED FAN
COOLED, SQUIRREL CAGE
ROTOR (WMP-90)

FILE NO:
CUSTOMER:
PO. NO:
ORDER NO:

OUTPUT	POLE	SYN. SPEED R.P.M	VOLT. V	FREQ Hz	INSUL. F	TIME RATING S1	MODEL FHFC-HD	FRAME NO. 132S
--------	------	---------------------	------------	------------	-------------	-------------------	------------------	-------------------

** IE3 EFFICIENCY
** FOR DIRECT COUPLING



A	B	C	H	ØK	L	AA	AB	ØAC	AD	LB	LE	BB	HA	HD	HC	ØKK
216	140	89	132	12	450	50	260	286	213	370	80	175	15	316	274	35

ØM	ØN	ØP	ØS	T	LA	SHAFT END							BEARING NO.		APPROX WEIGHT
						ØD	E	ED	F	G	GD	GA	D.E	O.D.E	
265	230	300	14.5	4	12	38	80	65	10	33	8	41	6308zz	6208zz	70 kg

NOTE: 1. TOLERANCE OF SHAFT END DIAMETER D: k6 (+0.018, +0.002)
2. TOLERANCE OF SHAFT CENTER HEIGHT H: +0, -0.5

CERTIFIED BY : _____		DATE : _____	
DESIGNED	S.L.TSAI JAN.03,2019	DWG. NO: AS-073771	
CHECKED	L.J.LEE JAN.03,2019	3RD ANGLE PROJECTION	
APPROVED	L.J.LEE JAN.03,2019	DIMENSIONS IN mm	

