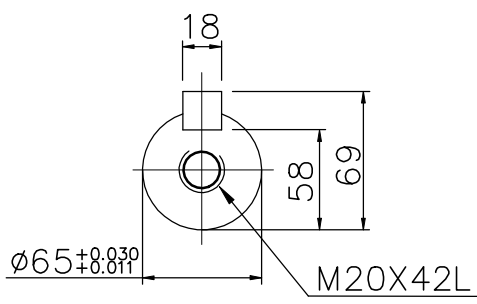
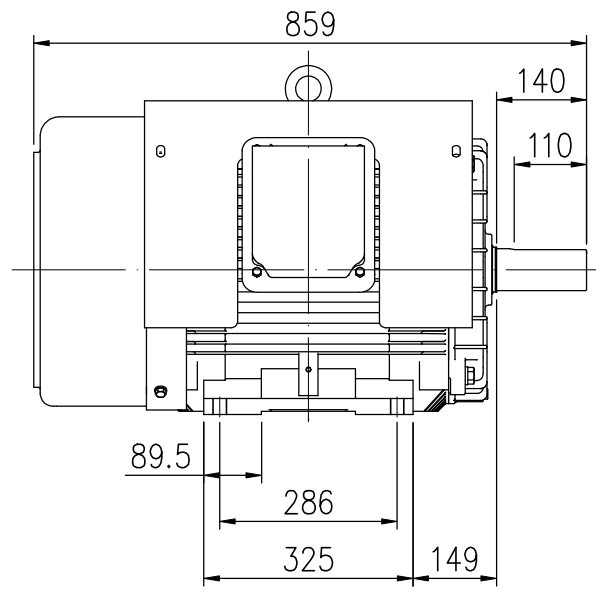
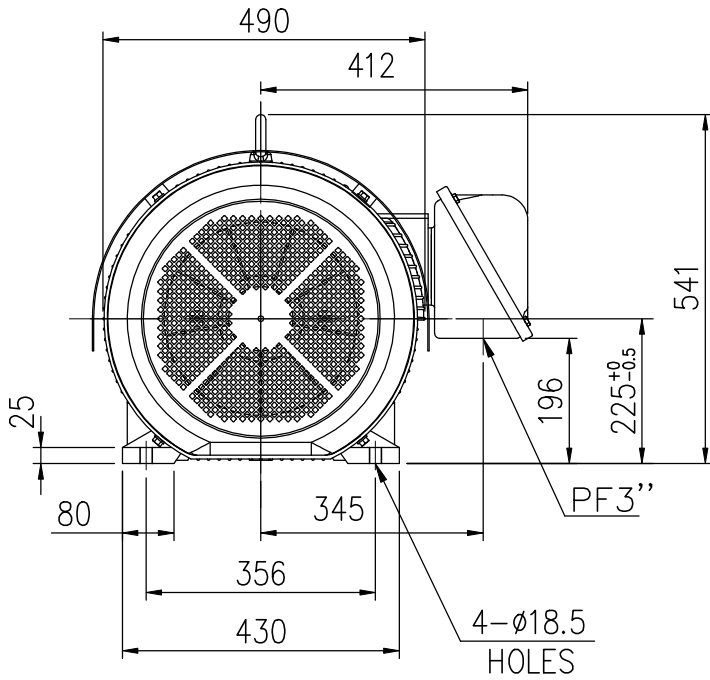


# OUTLINE 3-PHASE INDUCTION MOTOR

TOTALLY ENCLOSED FAN  
COOLED, SQUIRREL CAGE  
ROTOR  
PREMIUM EFFICIENCY  
IE3 SERIES

FILE NO:  
CUSTOMER:  
PO. NO:  
ORDER NO:

OUTPUT	POLE	SYN. SPEED	VOLT.	FREQ	TIME RATING	MODEL	FRAME NO.
					<b>S1</b>	FHFC-W	225S



NOTE: 1. F CLASS INSULATION.  
2. FOR DIRECT COUPLING.

BEARING NO.		APPROX WEIGHT
D.E	O.D.E	
6314ZZC3	6312ZZC3	380 kg

Preliminary Drawing for Reference Only



CERTIFIED	BY: _____	DATE: _____	
DESIGNED	W.T. LIAO	DWG. NO: AS-032553	REV.
CHECKED	S.Y. HSIAO	3RD ANGLE PROJECTION	(00)
APPROVED	S.Y. HSIAO	DIMENSION IN mm	