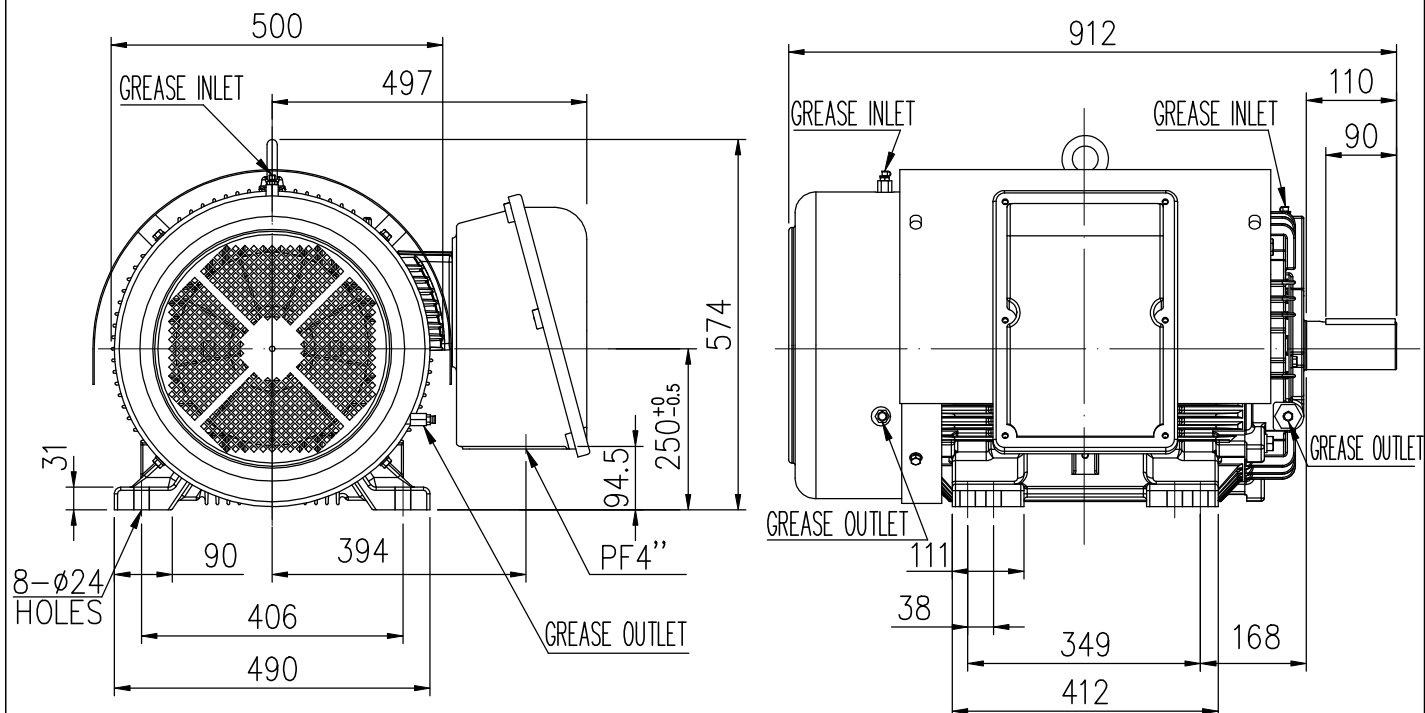


OUTLINE 3-PHASE INDUCTION MOTOR

TOTALLY ENCLOSED FAN
COOLED, SQUIRREL CAGE
ROTOR
PREMIUM EFFICIENCY
IE3 SERIES

FILE NO:
CUSTOMER:
PO. NO:
ORDER NO:

OUTPUT	POLE	SYN. SPEED	VOLT.	FREQ	TIME RATING	MODEL	FRAME NO.
	2				S1	FHFC-W	250M



NOTE: 1. F CLASS INSULATION.
2. FOR DIRECT COUPLING.

BEARING NO.		APPROX WEIGHT
D.E	O.D.E	
6316ZC3	6316ZC3	544 kg

Preliminary Drawing for Reference Only



CERTIFIED BY: _____		DATE: _____	
DESIGNED	W.T. LIAO	DWG. NO: AS-032557	REV.
CHECKED	S.Y. HSIAO	3RD ANGLE PROJECTION	
APPROVED	S.Y. HSIAO	DIMENSION IN mm	

(00)