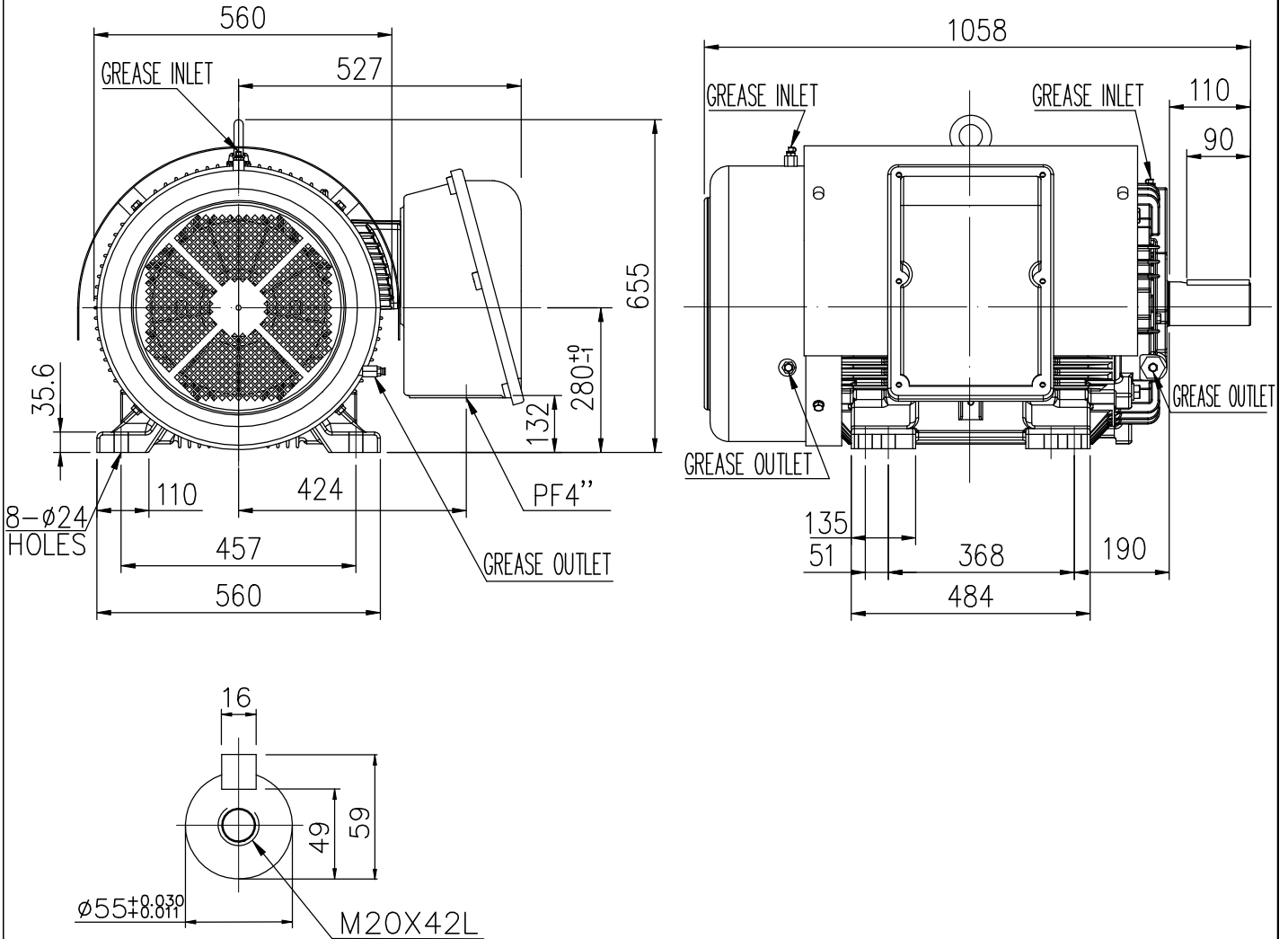


OUTLINE 3-PHASE INDUCTION MOTOR

TOTALLY ENCLOSED FAN
COOLED, SQUIRREL CAGE
ROTOR
PREMIUM EFFICIENCY
IE3 SERIES

FILE NO:
CUSTOMER:
PO. NO:
ORDER NO:

| OUTPUT | POLE | SYN. SPEED | VOLT. | FREQ | TIME RATING | MODEL | FRAME NO. |
|--------|------|------------|-------|------|-------------|--------|-----------|
| | 2 | | | | S1 | FHFC-W | 280S |



NOTE: 1. F CLASS INSULATION.
2. FOR DIRECT COUPLING.

| BEARING NO. | | APPROX WEIGHT |
|-------------|---------|---------------|
| D.E | O.D.E | |
| 6316ZC3 | 6316ZC3 | 670 kg |

Preliminary Drawing for Reference Only



| | | | |
|-----------|------------|----------------------|------|
| CERTIFIED | BY: _____ | DATE: _____ | |
| DESIGNED | W.T. LIAO | DWG. NO: AS-032560 | REV. |
| CHECKED | S.Y. HSIAO | 3RD ANGLE PROJECTION | (00) |
| APPROVED | S.Y. HSIAO | DIMENSION IN mm | |