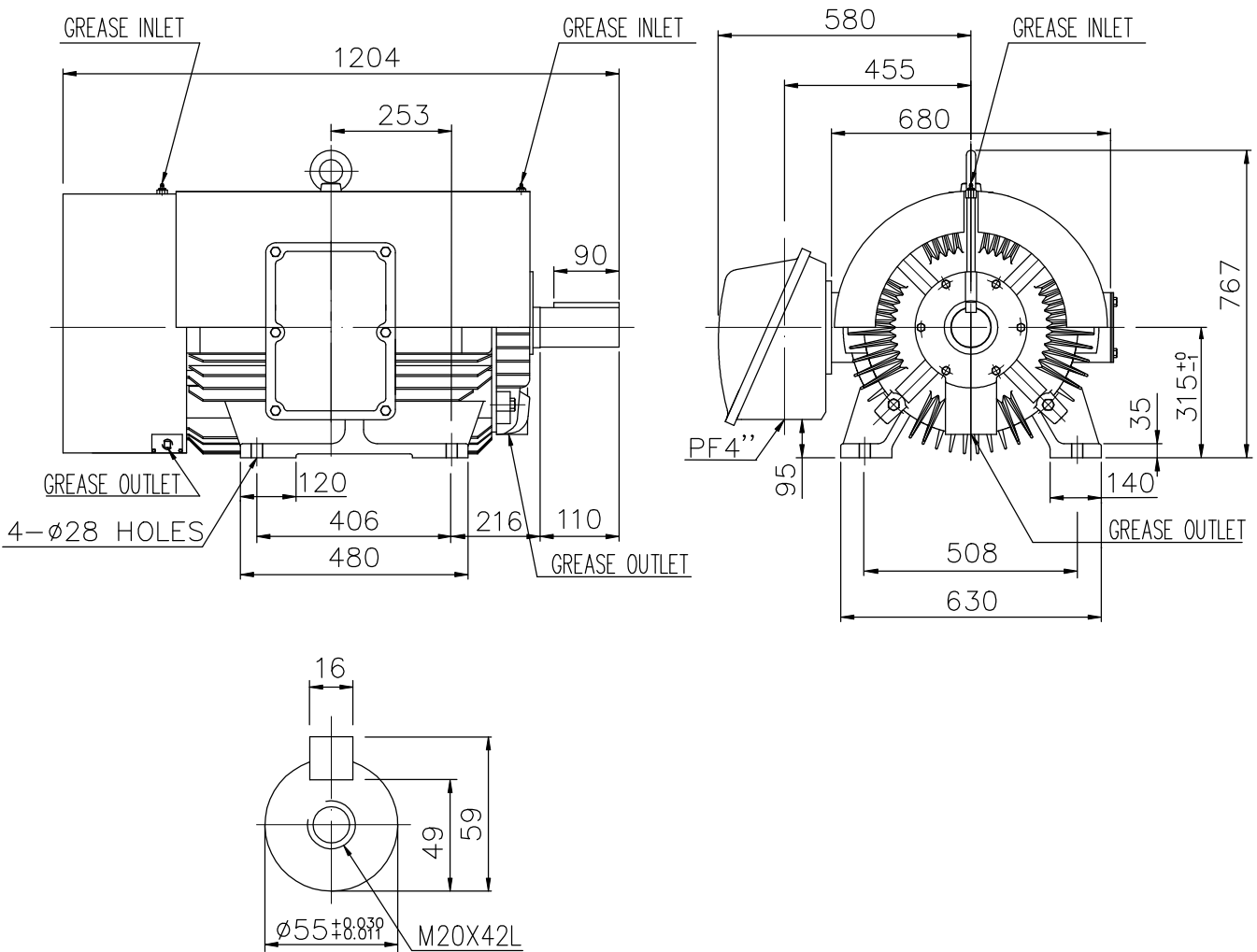


# OUTLINE 3-PHASE INDUCTION MOTOR

TOTALLY ENCLOSED FAN  
COOLED SQUIRREL CAGE  
ROTOR.  
PREMIUM EFFICIENCY  
IE3 SERIES

FILE NO:  
CUSTOMER:  
PO. NO:  
ORDER NO:

OUTPUT	POLE	SYN. SPEED	VOLT.	FREQ	TIME RATING	MODEL	FRAME NO.
	2				<b>S1</b>	FHFC-W	315S



BEARING NO.		APPROX WEIGHT
D.E	O.D.E	
6313C3	6313C3	1160 kg

Note: 1. F CLASS INSULATION.  
2. FOR DRECT COUPLING.

Preliminary Drawing for Reference Only



CERTIFIED BY: _____		DATE: _____	
DESIGNED	W.T. LIAO	DWG NO: AS-032562	REV.
CHECKED	S.Y. HSIAO	3RD ANGLE PROJECTION	
APPROVED	S.Y. HSIAO	DIMENSIONS IN mm	

00