

OUTLINE 3-PHASE INDUCTION MOTOR

TOTALLY ENCLOSED FAN
COOLED SQUIRREL CAGE
ROTOR.
PREMIUM EFFICIENCY
IE3 SERIES

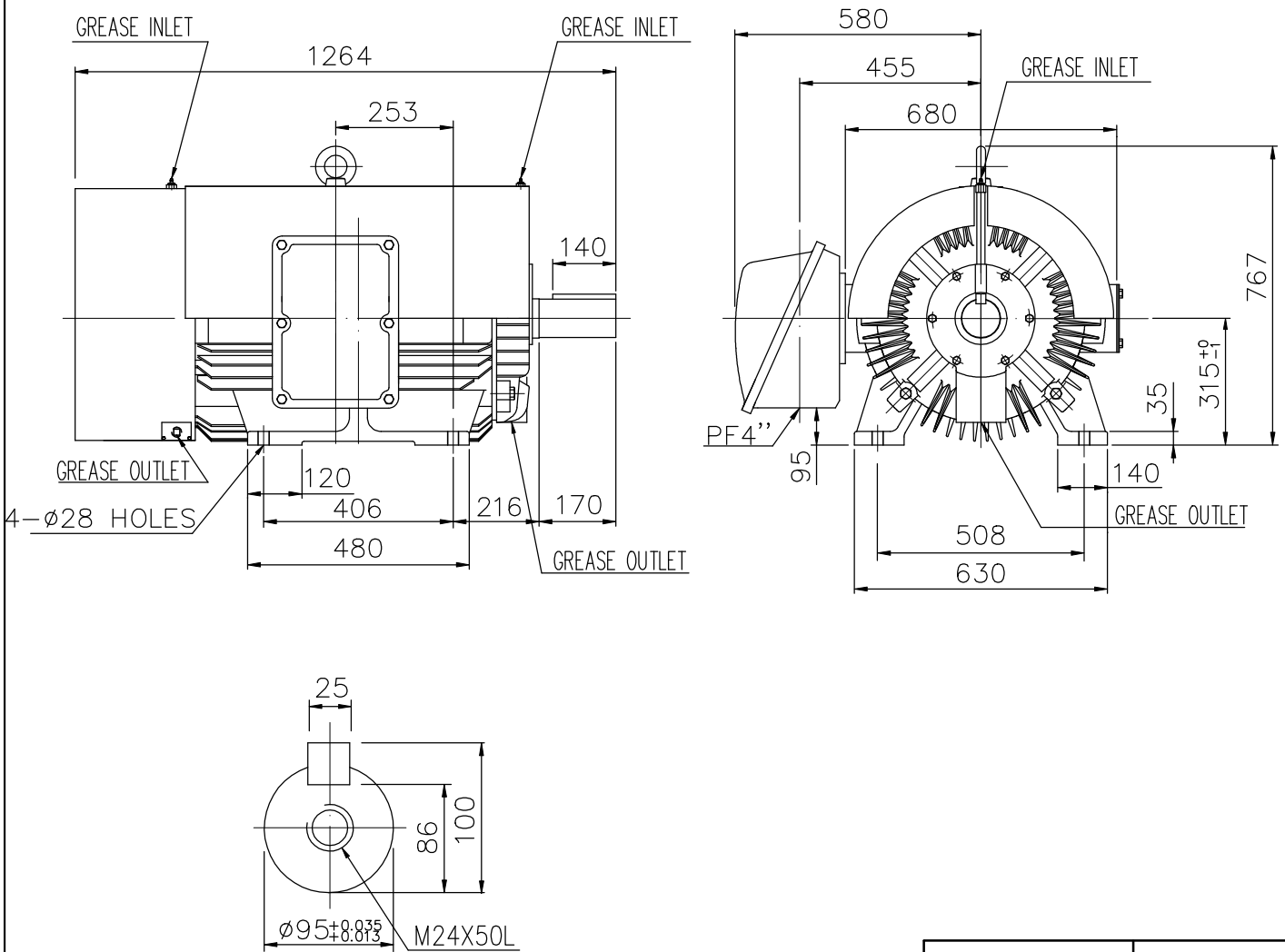
FILE NO:

CUSTOMER:

PO. NO:

ORDER NO:

OUTPUT	POLE	SYN. SPEED	VOLT.	FREQ	TIME RATING	MODEL	FRAME NO.
					S1	FHFC-W	315S



BEARING NO.		APPROX WEIGHT
D.E	O.D.E	
6320	6318	1170 KG

Note: 1. F CLASS INSULATION.
2. FOR DRECT COUPLING.

Preliminary Drawing for Reference Only



CERTIFIED BY: _____		DATE: _____	
DESIGNED	W.T. LIAO	DWG NO: AS-032563	REV.
CHECKED	S.Y. HSIAO	3RD ANGLE PROJECTION	
APPROVED	S.Y. HSIAO	DIMENSIONS IN mm	

00