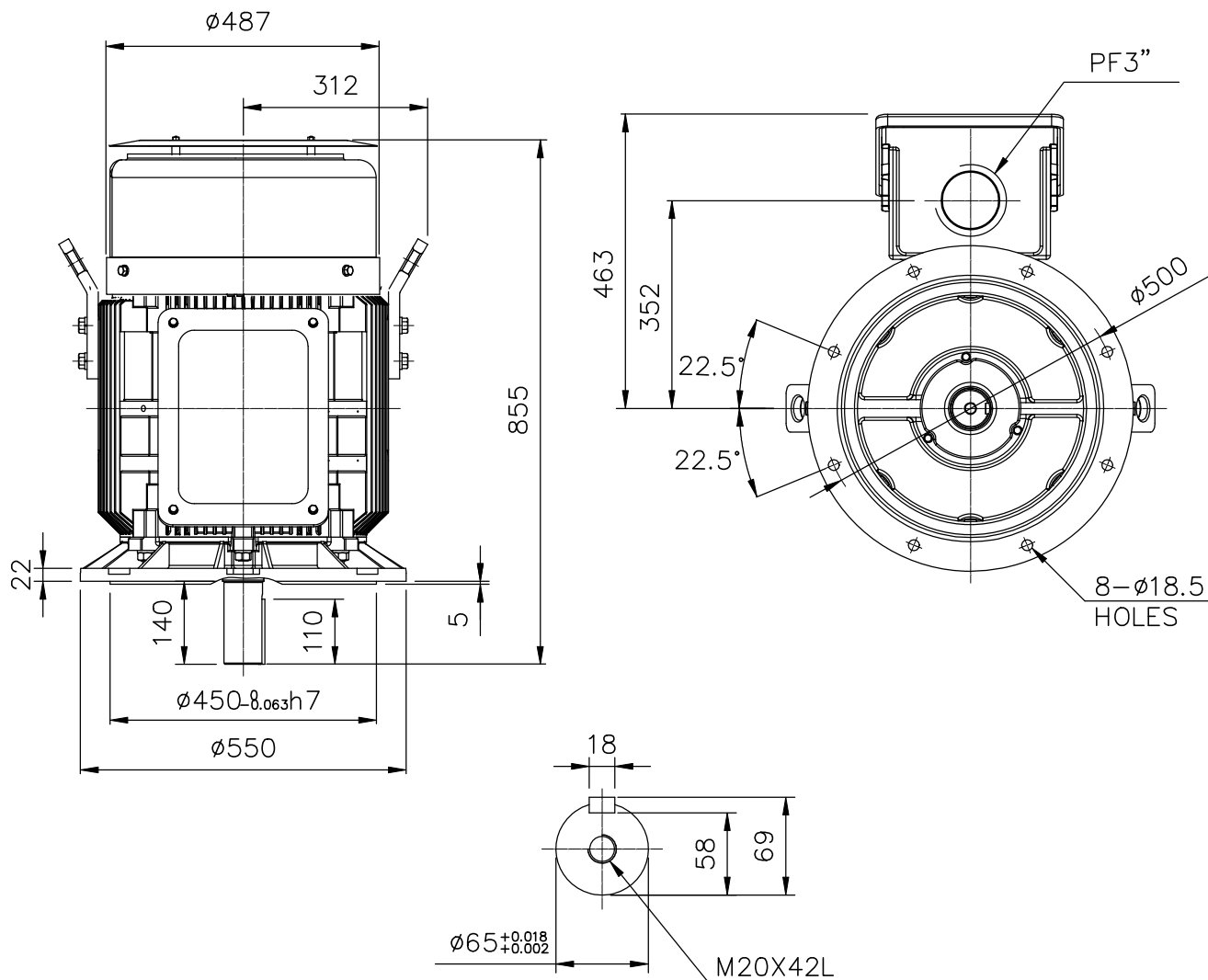


# OUTLINE 3-PHASE INDUCTION MOTOR

TOTALLY ENCLOSED FAN  
COOLED, SQUIRREL CAGE  
ROTOR  
PREMIUM EFFICIENCY  
IE3 SERIES

FILE NO:  
CUSTOMER:  
PO. NO:  
ORDER NO:

| OUTPUT | POLE | SYN. SPEED | VOLT. | FREQ | TIME RATING | MODEL   | FRAME NO. |
|--------|------|------------|-------|------|-------------|---------|-----------|
|        | 2    |            |       |      | S1          | FHFC-DW | 225S      |



NOTE: 1. F CLASS INSULATION.  
2. FOR DIRECT COUPLING.

| BEARING NO. |          | APPROX |
|-------------|----------|--------|
| D.E         | O.D.E    | WEIGHT |
| 6314ZZC3    | 6312ZZC3 | 380 kg |

初步圖面 僅供參考



|                     |            |                      |      |
|---------------------|------------|----------------------|------|
| CERTIFIED BY: _____ |            | DATE: _____          |      |
| DESIGNED            | C.Y. CHANG | DWG. NO: AS-032863   | REV. |
| CHECKED             | Eagle HUNG | 3RD ANGLE PROJECTION |      |
| APPROVED            | Eagle HUNG | DIMENSION IN mm      |      |

(00)