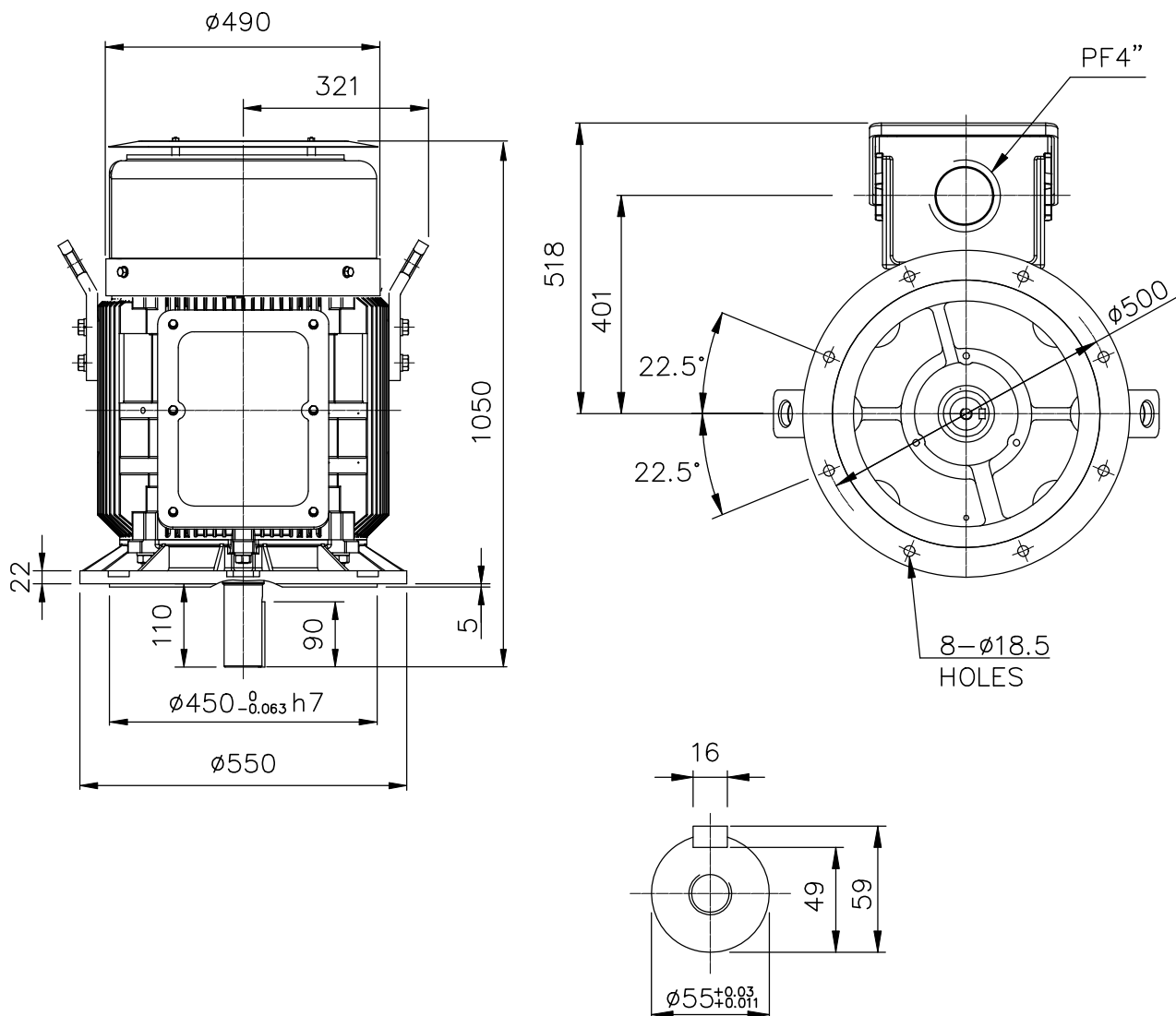


OUTLINE
3-PHASE
INDUCTION MOTOR

TOTALLY ENCLOSED FAN
COOLED, SQUIRREL CAGE
ROTOR
PREMIUM EFFICIENCY
IE3 SERIES

FILE NO:
CUSTOMER:
PO. NO:
ORDER NO:

| OUTPUT | POLE | SYN. SPEED | VOLT. | FREQ | TIME RATING | MODEL | FRAME NO. |
|--------|------|------------|-------|------|-------------|---------|-----------|
| | 2 | | | | S1 | FHFC-DW | 250M |



NOTE: 1. F CLASS INSULATION.
2. FOR DIRECT COUPLING.

| BEARING NO. | | APPROX WEIGHT |
|-------------|---------|---------------|
| D.E | O.D.E | |
| 6316ZC3 | 6316ZC3 | 544 kg |

初步圖面 僅供參考



| | | | |
|----------|------------|----------------------|------|
| DESIGNED | C.Y. CHANG | DWG. NO: AS-032864 | REV. |
| CHECKED | Eagle HUNG | 3RD ANGLE PROJECTION | 00 |
| APPROVED | Eagle HUNG | DIMENSION IN mm | |