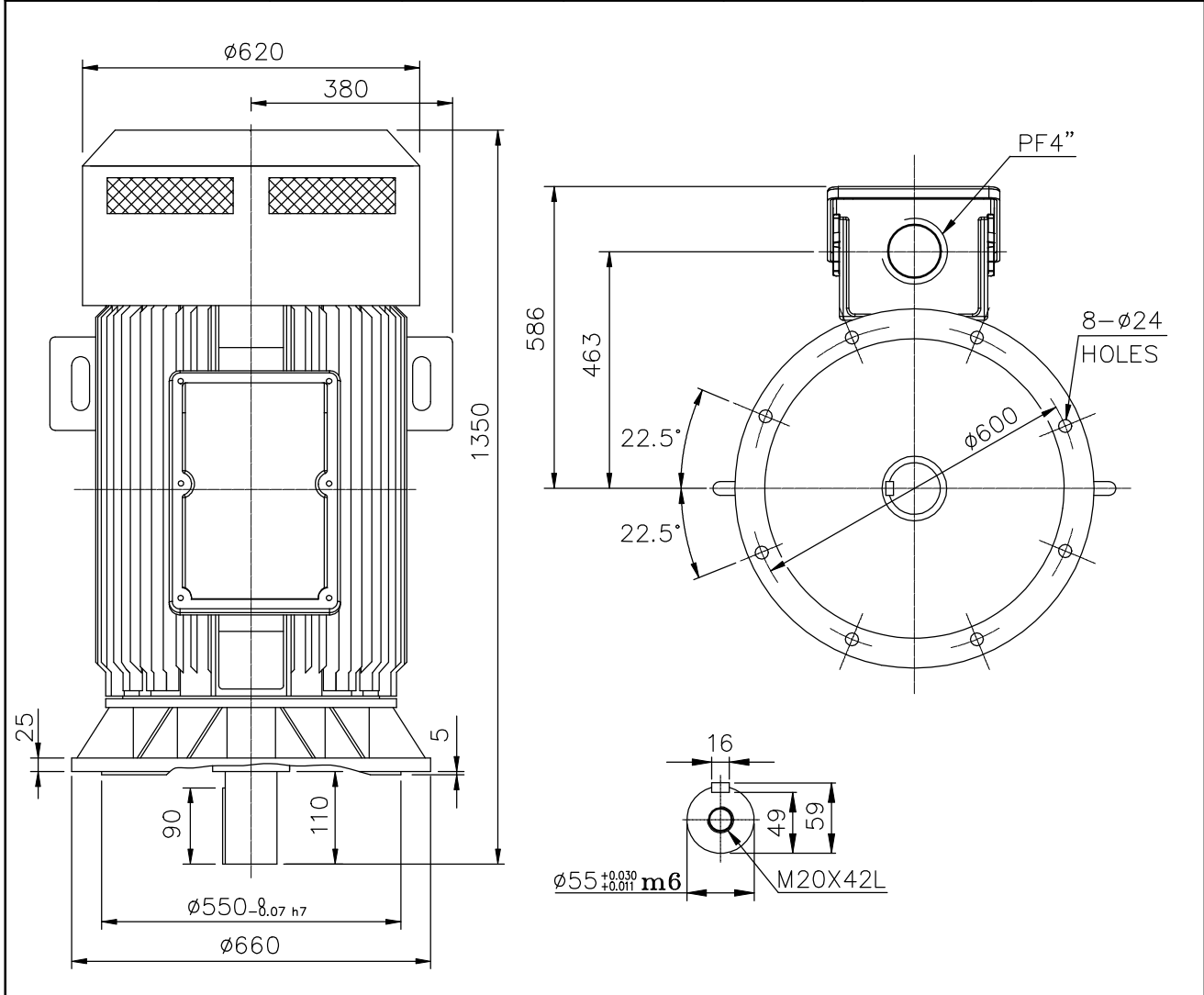


<b>OUTLINE</b> <b>3-PHASE</b> <b>INDUCTION MOTOR</b>	<b>TOTALLY ENCLOSED FAN          COOLED,SQUIRREL CAGE          ROTOR</b>	FILE NO:
	<b>PREMIUM EFFICIENCY          IE3 SERIES</b>	CUSTOMER:
		PO. NO:
		ORDER NO:

OUTPUT	POLE	SYN. SPEED	VOLT.	FREQ	TIME RATING	MODEL	FRAME NO.
	2				S1	FHFC-DW	315M



NOTE: 1. F CLASS INSULATION.  
 2. FOR DIRECT COUPLING.

BEARING NO.		APPROX WEIGHT
D.E	O.D.E	
6313C3	6313C3	1170 kg

初步圖面 僅供參考



CERTIFIED BY: _____		DATE: _____	
DESIGNED	C.Y. CHANG	DWG. NO: AS-032873	REV.
CHECKED	Eagle HUNG	3RD ANGLE PROJECTION	(00)
APPROVED	Eagle HUNG	DIMENSION IN mm	