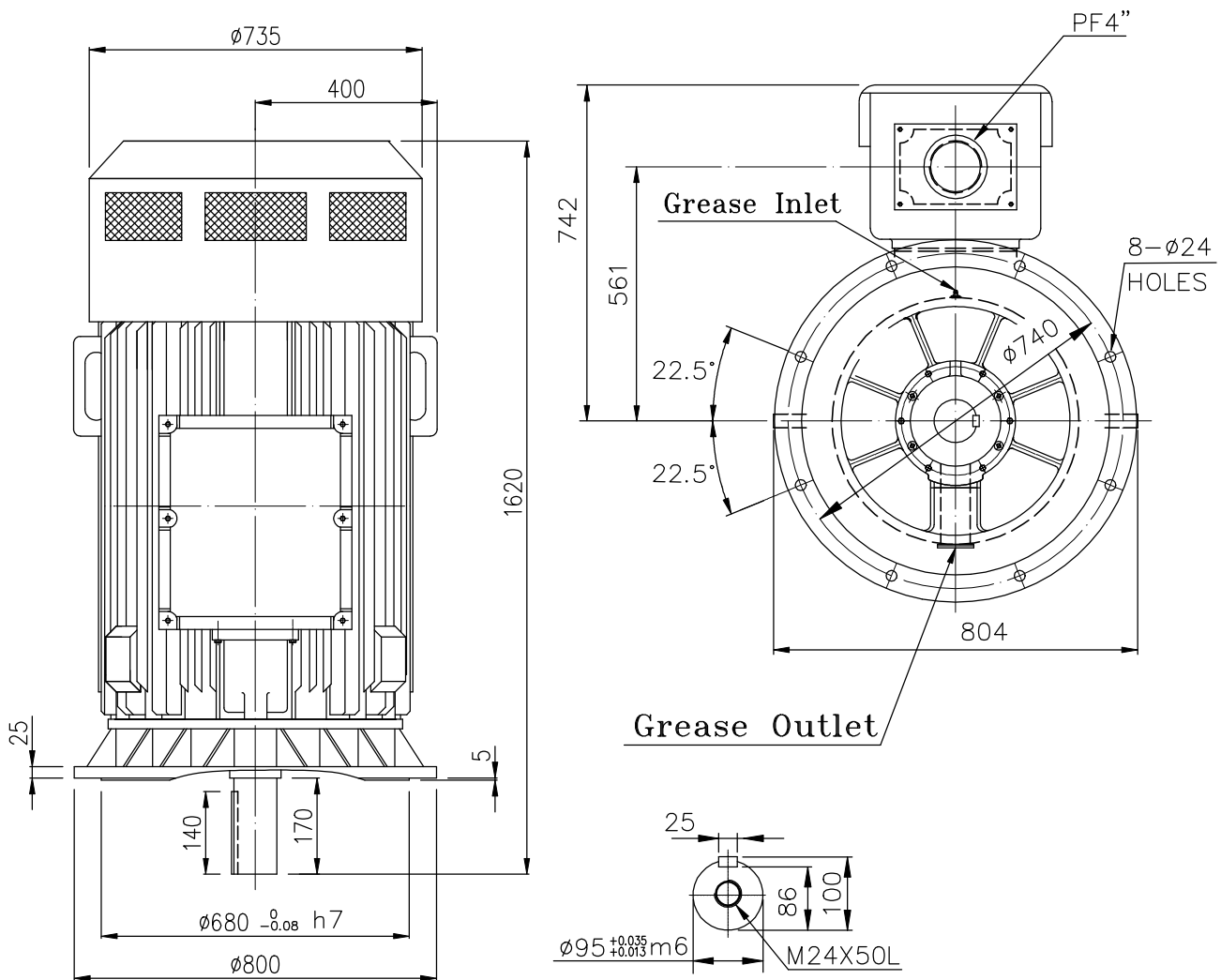


OUTLINE 3-PHASE INDUCTION MOTOR	TOTALLY ENCLOSED FAN COOLED, SQUIRREL CAGE ROTOR PREMIUM EFFICIENCY IE3 SERIES	FILE NO:
		CUSTOMER: PO. NO: ORDER NO:

OUTPUT	POLE	SYN. SPEED	VOLT.	FREQ	TIME RATING	MODEL	FRAME NO.
					S1	FHFC-DW	315LL



NOTE: 1. F CLASS INSULATION.
 2. FOR DIRECT COUPLING.

BEARING NO.		APPROX WEIGHT
D.E	O.D.E	
6320	6318	1950 kg

初步圖面 僅供參考



CERTIFIED BY: _____ DATE: _____			
DESIGNED	C.Y. CHANG	DWG. NO: AS-032876	REV.
CHECKED	Eagle HUNG	3RD ANGLE PROJECTION	(00)
APPROVED	Eagle HUNG	DIMENSION IN mm	