

OUTLINE

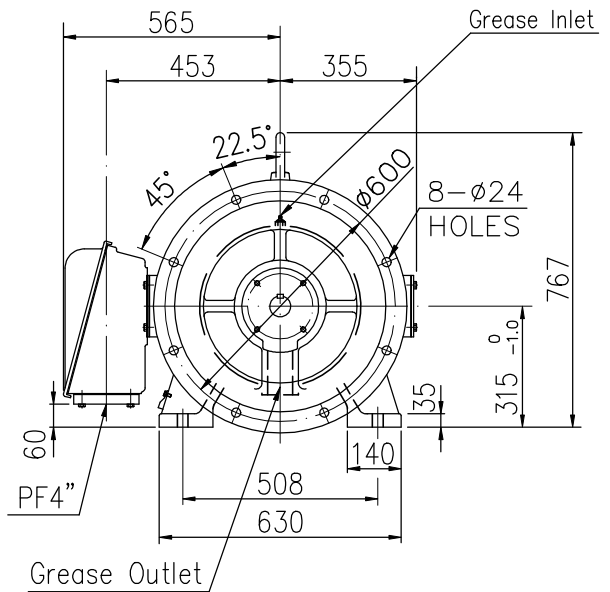
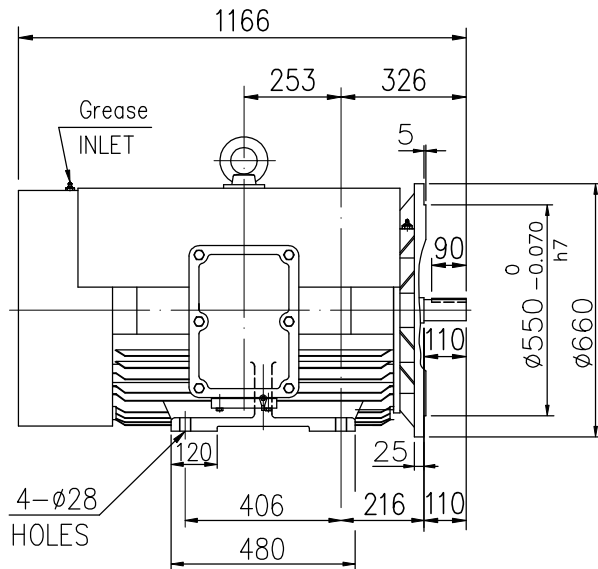
3-PHASE INDUCTION MOTOR

TOTALLY ENCLOSED
FAN COOLED
SQUIRREL CAGE ROTOR
(OUTDOOR)

FILE NO:
CUSTOMER:
PO. NO:
ORDER NO:

OUTPUT	POLE	SYN. SPEED	VOLT.	FREQ	INSUL.	TIME RATING	MODEL	FRAME NO.
	2				F	S1	FHFC-HD	315S

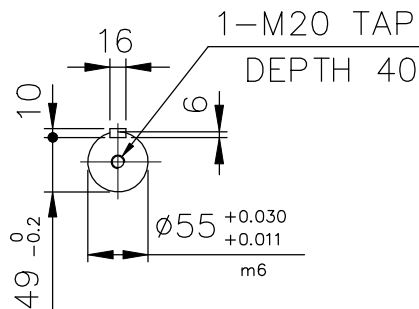
- * IE3 Efficiency
- * Direct Coupled



TOLERANCE

KEY WIDTH h9 $\begin{matrix} 0 \\ -0.043 \end{matrix}$

KEY WAY N9 $\begin{matrix} 0 \\ -0.043 \end{matrix}$



Note:

- 1) Approximate weight = 1130 kg
- 2) Drive end bearing: 6314C3
Opposite drive end bearing: 6313C3

**Preliminary Drawing
For Reference Only**

HISTORY	
△	



			REV.
DESIGNED	F.M.SUE DEC, 15, 2017	DWG NO: AS-063903	(00)
CHECKED	L.J. LEE DEC, 15, 2017	3RD ANGLE PROJECTION	
APPROVED	L.J. LEE DEC, 15, 2017	DIMENSIONS IN mm	