

# OUTLINE

## 3-PHASE INDUCTION MOTOR

TOTALLY ENCLOSED  
FAN COOLED  
SQUIRREL CAGE ROTOR  
(OUTDOOR)

FILE NO:

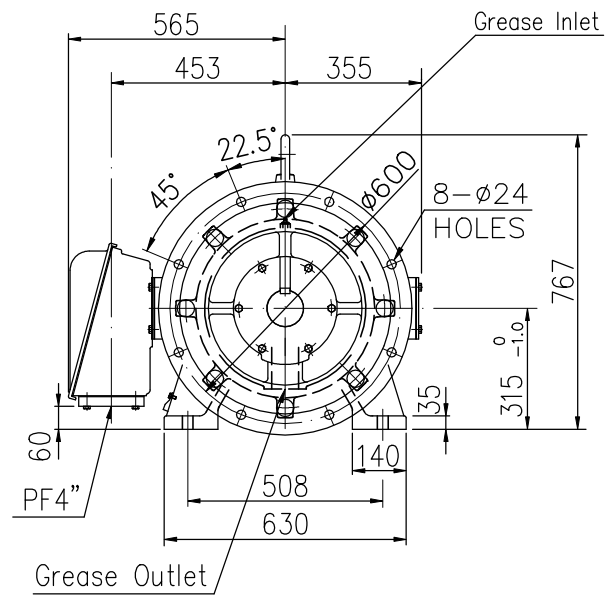
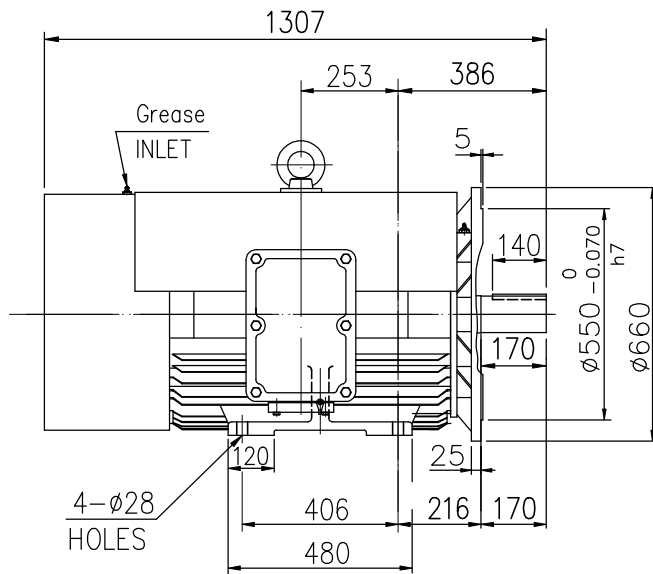
CUSTOMER:

PO. NO:

ORDER NO:

OUTPUT	POLE	SYN. SPEED	VOLT.	FREQ	INSUL.	TIME RATING	MODEL	FRAME NO.
					F	S1	FHFC-HD	315S

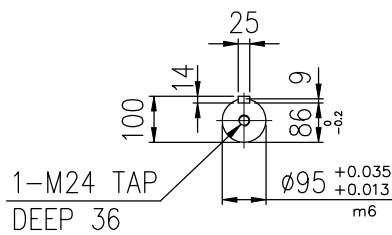
- \* IE3 Efficiency
- \* Direct Coupled



TOLERANCE

KEY WIDTH h9  $\begin{matrix} 0 \\ -0.052 \end{matrix}$

KEY WAY N9  $\begin{matrix} 0 \\ -0.052 \end{matrix}$



**Preliminary Drawing  
For Reference Only**

Note:

- 1) Approximate weight = 1130 kg
- 2) Drive end bearing: 6320  
Opposite drive end bearing: 6318

HISTORY	
△	



			REV.
DESIGNED	F.M.SUE DEC, 15, 2017	DWG NO: AS-063904	(00)
CHECKED	L.J. LEE DEC, 15, 2017	3RD ANGLE PROJECTION	
APPROVED	L.J. LEE DEC, 15, 2017	DIMENSIONS IN mm	